

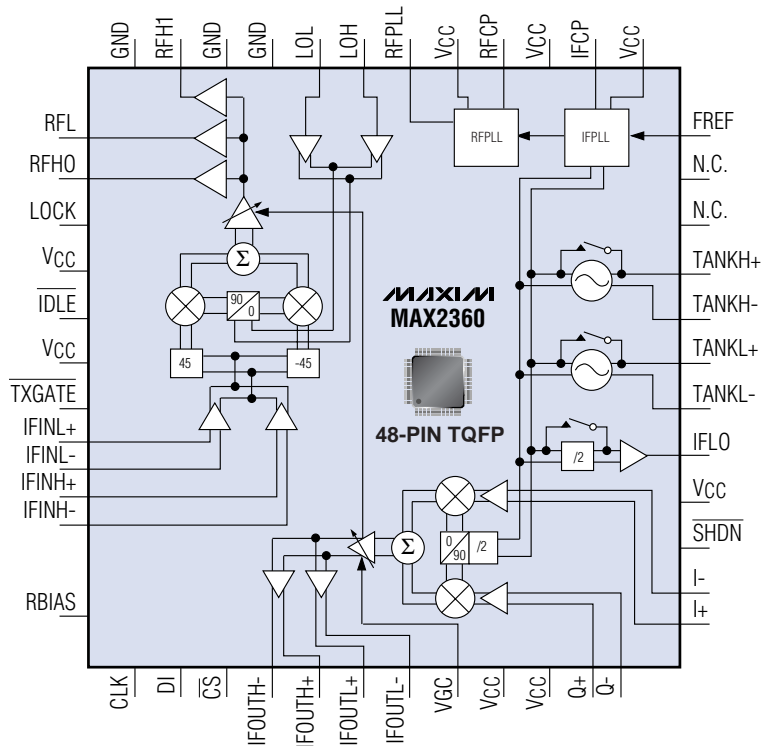
# WORLD'S MOST INTEGRATED TRANSMIT IC FOR DUAL-BAND CELLULAR PHONES—SAMPLING NOW

The New MAX2360 is Designed for cdmaOne™, cdma2000™, TDMA, EDGE, and W-CDMA Dual-Band Cellular Phones

The MAX2360 is part of Maxim's cdmaOne chipset and, together with MAX2320, MAX2310, and MAX2264, forms a complete cdmaOne antenna-to-baseband solution.

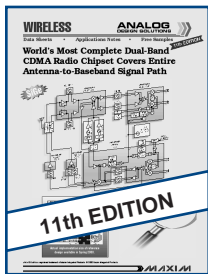
## Features:

- ◆ Dual-Band I/Q Modulator
- ◆ Upconverters
- ◆ +7dBm (-54dBc ACPR) PA Drivers
- ◆ IF VCOs
- ◆ Dual-Band IF/RF PLLs
- ◆ Serial Interface Control
- ◆ Saves up to Three SAW RF Filters and PA Drivers
- ◆ Supports Dual IFs
- ◆ PCS Only (MAX2362) and Cellular Only (MAX2364) Versions Available



The highly integrated MAX2360 saves cost and size in dual-band cellular phones.

cdmaOne and cdma2000 are trademarks of the CDMA Development Group.



**Subscribe to Maxim's EE-Mail™ today to receive automatic new product updates via e-mail. Go to [www.maxim-ic.com](http://www.maxim-ic.com) for easy signup.**

CALL TOLL-FREE 1-800-998-8800 for a Design Guide or Free Sample  
6:00 a.m. – 6:00 p.m. Pacific Time

**MAXIM**  
[www.maxim-ic.com](http://www.maxim-ic.com)

1999 EDITION!  
FREE FULL-LINE DATA CATALOG  
ON CD-ROM



**NEW!** Get Price, Delivery, and Place Orders  
Online at [www.maxim-ic.com](http://www.maxim-ic.com)

Maxim Integrated Products, 120 San Gabriel Drive, Sunnyvale, CA 94086, (408) 737-7600, FAX (408) 737-7194.

Distributed by Maxim Distribution, Arrow, Avnet Electronics Marketing, CAM RPC, Digi-Key, Elmo, Nu Horizons, and Zeus.  
Distributed in Canada by Arrow and Avnet Electronics Marketing.

MAXIM is a registered trademark of Maxim Integrated Products. © 2000 Maxim Integrated Products.