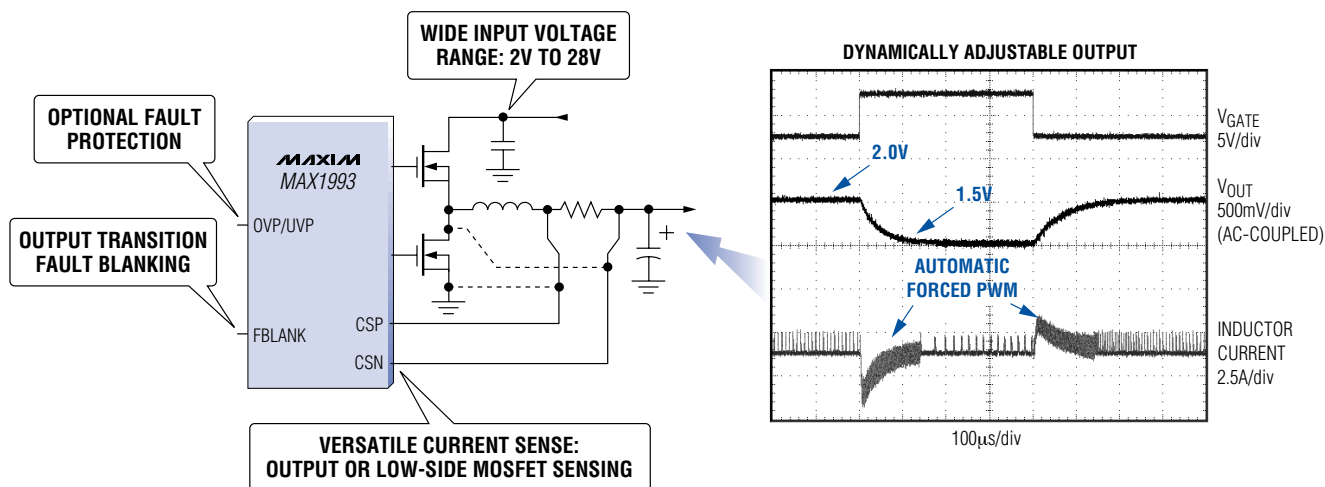


FIRST DYNAMICALLY ADJUSTABLE SUPPLY FOR NOTEBOOK VIDEO PROCESSORS AND DDR MEMORY

Smallest Total Solution, Low Output Voltage (0.7V)

These versatile step-down controllers power notebook graphics processors, DDR memory or chipsets to as low as 0.7V. Maxim's proprietary Quick-PWM™ quick-response, constant on-time PWM control scheme reduces output capacitance requirements, and the secondary peak current limit control allows the use of low-cost, saturable core inductors. The MAX1992 fixed-output controller includes 3 preset outputs and may be adjusted to as low as 0.7V. The MAX1993 includes a tracking input for DDR memory and dynamically adjustable output for graphics and CPU core supplies.



- ◆ Inductor Saturation Protection
- ◆ Use Low-Cost Inductors
- ◆ $\pm 1\%$ V_{OUT} Accuracy Over Line and Load
- ◆ Ultra-High Efficiency (to 95%)
- ◆ 2V to 28V Battery Input Range
- ◆ 1.8V/2.5V Fixed or 0.7V to 5.5V Adjustable Output Range (MAX1992)
- ◆ 0.7V to 5.5V External Reference Input and Dynamically Selectable Output Voltage (MAX1993)

Part	Features	Pin-Package	Price† (\$)
MAX1992ETG	Fixed output 2.5V/1.8V or 0.7V to 5.5V adjustable	24-Thin QFN	2.85
MAX1993ETG	Dynamically selectable output voltage (0.7V to 5.5V)	24-Thin QFN	2.85

†1000-up recommended resale. Prices provided are for design guidance and are FOB USA. International prices will differ due to local duties, taxes, and exchange rates. Not all packages are offered in 1k increments, and some may require minimum order quantities.



FREE Low-Power Notebook Design Guide—Sent Within 24 Hours!

CALL TOLL-FREE 1-800-998-8800 (6:00 a.m. – 6:00 p.m. PST)

For a Design Guide or Free Sample

MAXIM

www.maxim-ic.com

2002 EDITION!
FREE FULL-LINE DATA CATALOG
ON CD-ROM



MAXIM/DALLAS DIRECT!
DISTRIBUTION
1-888-MAXIM-IC

ARROW
ARROW ELECTRONICS, INC.
1-800-777-2776

AVNET CILICON
1-800-332-8638

Distributed by Maxim/Dallas Direct!, Arrow, Avnet Electronics Marketing, Digi-Key, and Newark.

MAXIM is a registered trademark of Maxim Integrated Products, Inc. © 2003 Maxim Integrated Products.