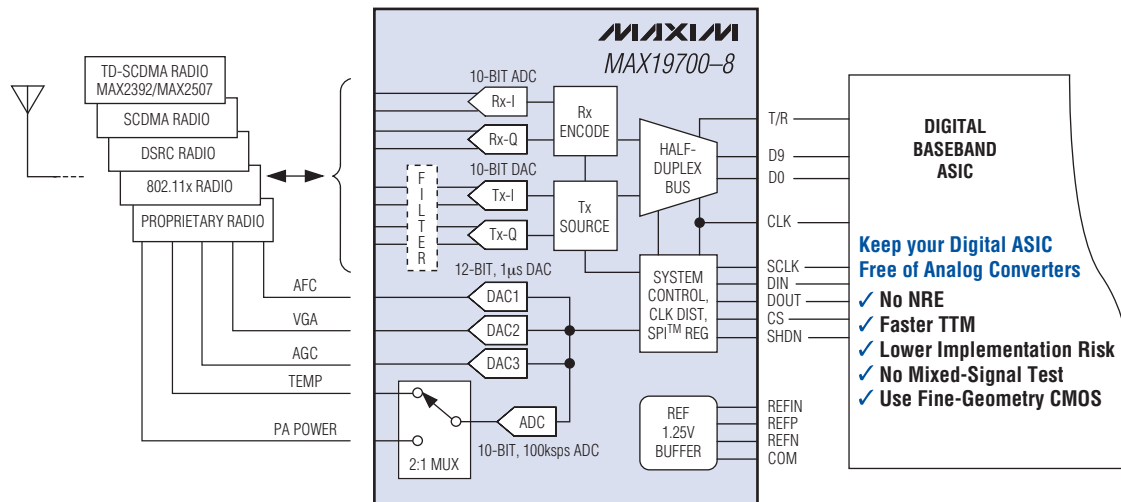
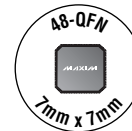


INTEGRATED ANALOG FRONT-ENDS OFFER LOWEST POWER, SMALLEST SIZE, AND LOWEST COST

Ideal for ZIF Transceivers in Handsets, PDAs, and Data Cards



- ◆ High Level of Integration
 - ◆ Tx: Dual 10-Bit DACs, Rx: Dual 10-Bit ADCs
 - ◆ Aux ADC/DACs, Optional Tx Filters
- ◆ Excellent Dynamic Performance
 - ◆ 55dB SINAD (Rx ADCs)
 - ◆ 76dBc SFDR (Tx DACs)
- ◆ Ultra-Low Power and Versatile Control
 - ◆ 36mW to 90mW (7.5MSPs to 45MSPs)
 - ◆ Shutdown, Idle, Standby, Tx-Rx Disable
- ◆ Lowest Cost Solution
 - ◆ Save 56% Over Discrete Solutions
 - ◆ Pricing Starts at Less than \$5.00[†]



Part	Speed (MSPs)	Features
MAX19700ETM	7.5	Aux DAC, LP filters
MAX19708ETM	11	Aux DAC, aux ADC, LP filters
MAX19705ETM	7.5	Aux DAC, aux ADC
MAX19706ETM	22	Aux DAC, aux ADC
MAX19707ETM	45	Aux DAC, aux ADC

SPI is a trademark of Motorola, Inc.

[†]50k-up recommended resale. Prices provided are for design guidance and are FOB USA. International prices will differ due to local duties, taxes, and exchange rates. Not all packages are offered in 1k increments, and some may require minimum order quantities.



www.maxim-ic.com/HSC-AFE

FREE High-Speed ADCs, DACs, & AFEs Design Guide—Sent Within 24 Hours!

CALL TOLL FREE 1-800-998-8800 (6:00 a.m.–6:00 p.m. PT)

For a Design Guide or Free Sample



Distributed by Maxim/Dallas Direct!, Arrow, Avnet Electronics Marketing, Digi-Key, and Newark.

The Maxim logo is a registered trademark of Maxim Integrated Products, Inc. The Dallas Semiconductor logo is a registered trademark of Dallas Semiconductor Corp.
© 2005 Maxim Integrated Products, Inc. All rights reserved.