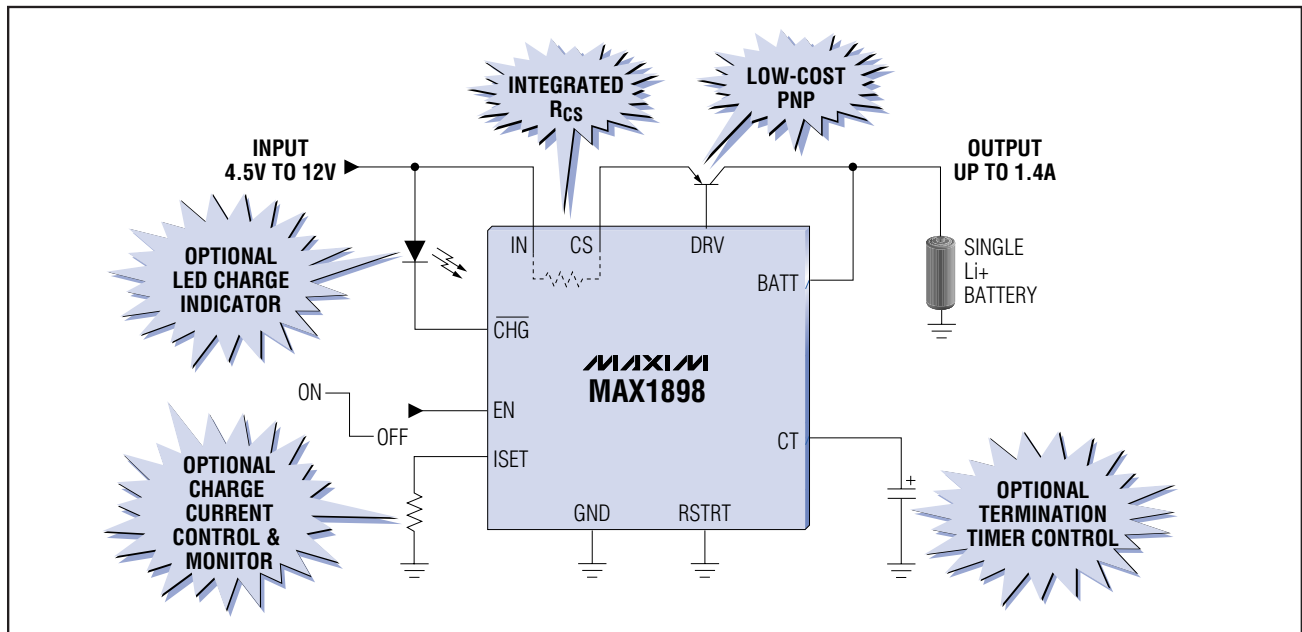


# SIMPLEST SINGLE-CELL Li+ CHARGING SOLUTION

## Complete Linear Charging Solution Requires Only a Low-Cost PNP Transistor

The MAX1898 is a full-function, constant-current/constant-voltage linear charger for a single-cell lithium-ion battery. The MAX1898 provides great functionality from a very simple application circuit. A single PNP or PMOS transistor is added to provide a complete solution. The charge-current-sensing resistor is built in. Additional features include safety timer, AC adapter detection, precharge of deep discharged cell, and charge indication output.



- ◆ Simple and Safe Linear Charging Solution
- ◆ Internal Current-Sense Resistor
- ◆ Low-Cost PNP or PMOS Pass Element
- ◆ AC Adapter Detection
- ◆  $\pm 0.75\%$  Battery Voltage Regulation
- ◆ Programmable Charging Current
- ◆ Programmable Safety Timer
- ◆ Current-Sense Monitor Output
- ◆ Small 10-Pin  $\mu$ MAX Package



**FREE Power Supplies Design Guide—Sent Within 24 Hours!**  
Includes: Reply Cards for Free Samples and Data Sheets

CALL TOLL-FREE 1-800-998-8800 for a Design Guide or Free Sample  
6:00 a.m. – 6:00 p.m. Pacific Time

**MAXIM**  
www.maxim-ic.com

2001 EDITION!  
FREE FULL-LINE DATA CATALOG  
ON CD-ROM



**MAXIM/DALLAS SEMICONDUCTOR**  
**DIRECT!**  
DISTRIBUTION  
1-888-MAXIM-IC

**ARROW**  
ARROW ELECTRONICS, INC.  
1-800-777-2776

**AVNET**  
electronics marketing  
1-800-332-8638

Maxim Integrated Products, 120 San Gabriel Drive, Sunnyvale, CA 94086, (408) 737-7600, FAX (408) 737-7194.  
Distributed by Maxim/Dallas Direct!, Arrow, Avnet Electronics Marketing, Digi-Key, and Newark.  
Distributed in Canada by Arrow and Avnet Electronics Marketing.

MAXIM is a registered trademark of Maxim Integrated Products, Inc. © 2002 Maxim Integrated Products.