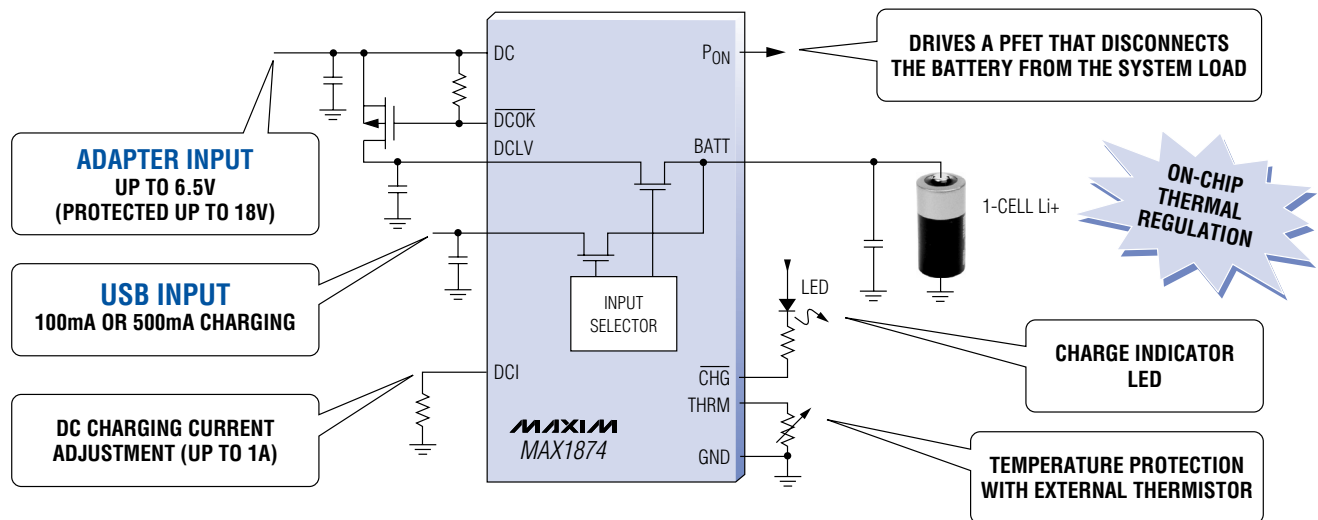


Li+ CHARGER HAS DUAL-INPUTS FOR USB* & AC ADAPTER AND THERMAL REGULATION

Simple Low-Cost Application Circuit for 1-Cell Li+ Charging Adds Input Overvoltage Protection

The MAX1874 charges a single-cell Li+ battery from both USB and AC adapter sources, enabling portable users to eliminate carrying a bulky wall cube. In its simplest application, the MAX1874 needs no external MOSFET or diodes and accepts input voltages up to 6.5V. Overvoltage protection up to 18V can be added with a single SOT PFET. When the MAX1874 reaches its thermal limit, the charger reduces but does not stop the charging current.



- ◆ Charge from USB or AC Adapter
 - ◆ On-Chip Thermal Limiting Simplifies Board Design
 - ◆ Automatic Switchover When AC Adapter Is Plugged In
 - ◆ Automatic Load Switch from Battery to DC Source
 - ◆ Small, High-Power, 16-Pin QFN Package
 - ◆ Input Protection Up to 18V
 - ◆ Soft-Start Reduces Loading Surges on USB or AC Adapter
 - ◆ Priced at \$1.75[†]
- * Protected by U.S. Patent 6,507,172

[†]1000-up recommended resale. Prices provided are for design guidance and are FOB USA. International prices will differ due to local duties, taxes, and exchange rates. Not all packages are offered in 1k increments, and some may require minimum order quantities.

MAXIM

www.maxim-ic.com

FREE Power Supplies Design Guide—Sent Within 24 Hours!

CALL TOLL-FREE 1-800-998-8800 (6:00 a.m.—6:00 p.m. PT)

For a Design Guide or Free Sample

MAXIM/DALLAS
DIRECT!
DISTRIBUTION
1-888-MAXIM-IC

ARROW
ARROW ELECTRONICS, INC.
1-800-777-2776

AVNET
CILICON
1-800-332-8638

Distributed by Maxim/Dallas Direct!, Arrow, Avnet Electronics Marketing, Digi-Key, and Newark.
MAXIM is a registered trademark of Maxim Integrated Products, Inc. © 2003 Maxim Integrated Products.