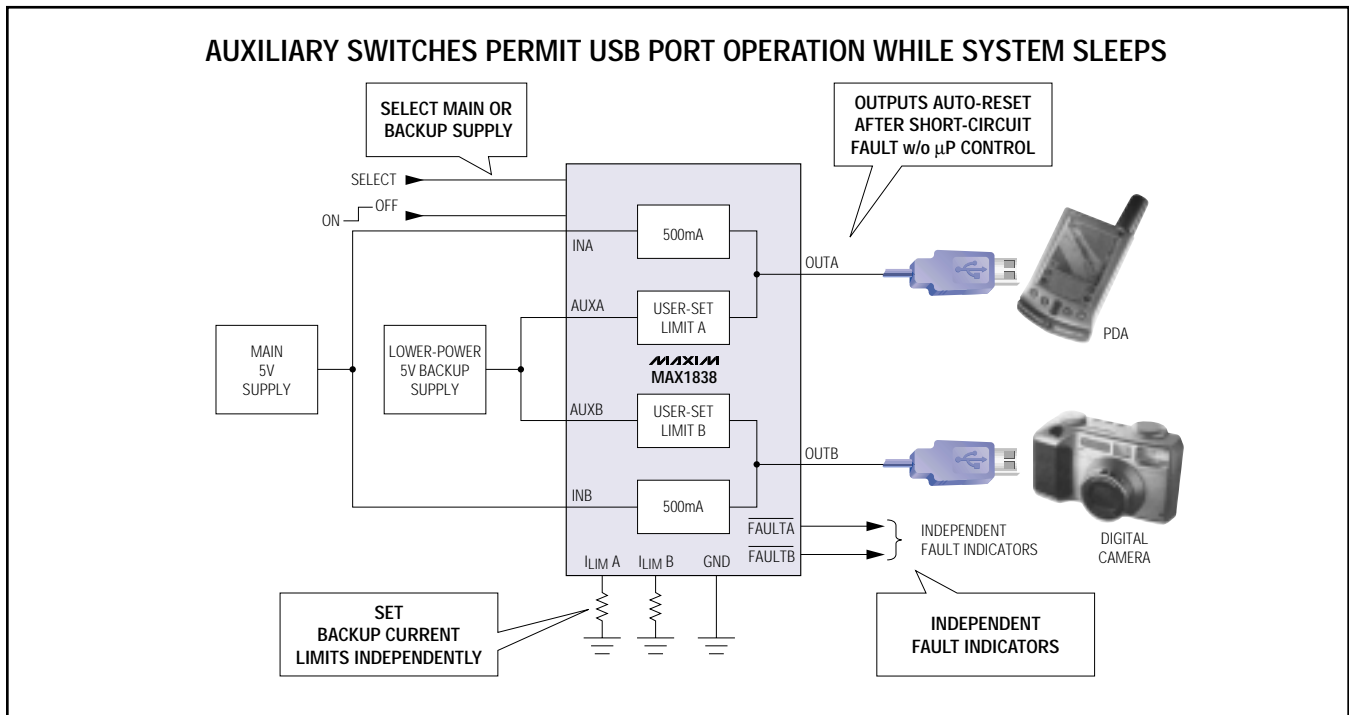


FIRST DUAL "WAKE-ON-USB" CURRENT-LIMITED SWITCH WITH AUTO-RESET

Permits Reduced-Power USB Ports to Stay On While System Sleeps

The MAX1838 is the first dual USB switch to permit the user to select between the main 5V supply (when the system is awake) and the lower power 5V backup supply (when the system is asleep) as the input. It also allows the user to independently adjust the current limits of the low-power switches down from the full 500mA USB limit. A power-saving auto-reset feature latches the switch off when a short-circuit condition exists, and does not turn back on again until the fault condition is removed. A built-in 20ms fault blanking time allows momentary faults such as those caused by capacitive loads to be ignored by the microprocessor.



When the system is in sleep mode, the main 5V supply is turned off, and the system runs from the backup supply to save power. The MAX1838 switches over to the backup supply and limits the USB current to a level lower (set by the user) than the full 500mA.

- ◆ Dual USB Switch with Backup Supply Inputs
- ◆ Guaranteed 500mA Load per Channel
- ◆ Programmable Current Limit on Auxiliary Inputs
- ◆ Auto-Resets After Short-Circuit Faults
- ◆ Built-In 20ms Fault Blanking
- ◆ Reverse-Current & Thermal Overload Protection
- ◆ 4V to 5.5V Input Range
- ◆ Tiny 16-QSOP Package



FREE Power Supplies Design Guide—Sent Within 24 Hours!
Includes: Reply Cards for Free Samples and Data Sheets

CALL TOLL-FREE 1-800-998-8800 for a Design Guide or Free Sample
6:00 a.m. – 6:00 p.m. Pacific Time

MAXIM
www.maxim-ic.com

2001 EDITION!
FREE FULL-LINE DATA CATALOG
ON CD-ROM



NEW! Get Price, Delivery, and Place Orders
Online at www.maxim-ic.com

Maxim Integrated Products, 120 San Gabriel Drive, Sunnyvale, CA 94086, (408) 737-7600, FAX (408) 737-7194.

Distributed by Maxim Distribution, Arrow, Avnet Electronics Marketing, CAM RPC, Digi-Key, Elmo, Nu Horizons, and Zeus.
Distributed in Canada by Arrow and Avnet Electronics Marketing.

MAXIM is a registered trademark of Maxim Integrated Products, Inc. © 2001 Maxim Integrated Products.