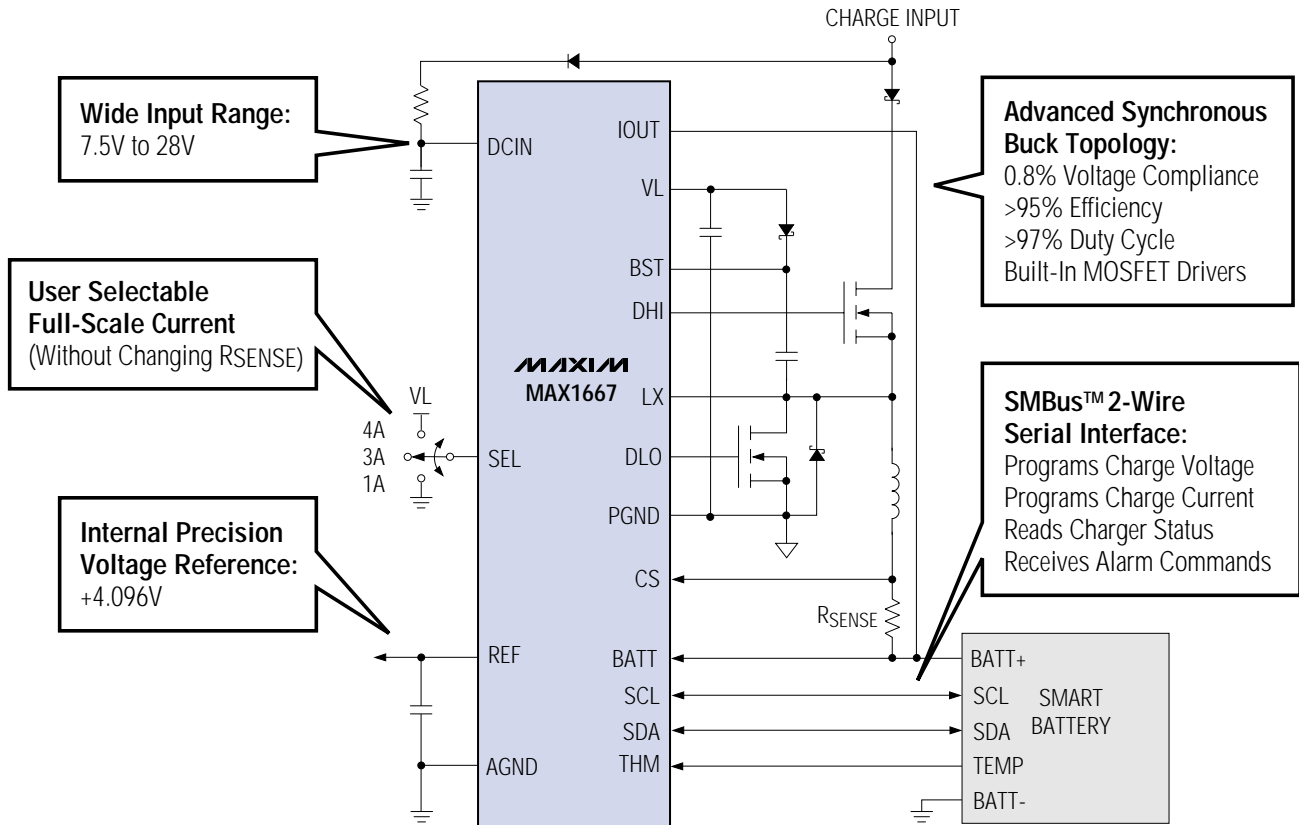


0.8% ACCURATE SMART BATTERY CHARGER EASILY CHARGES 2 TO 4 SERIES LITHIUM-ION CELLS

Advanced Synchronous Buck Topology with Precision On-Chip Voltage Reference Automatically Transitions from Constant-Current Charge to Constant-Voltage Charge



- ◆ Charges Any Battery Chemistry
- ◆ SMBus 2-Wire Serial Interface
- ◆ 7mA Trickle-Charge Output
- ◆ On-Chip Precision Voltage Reference
- ◆ Charge Voltages to 18.416V (11 bits)
- ◆ Charge Current Ranges up to 1A, 3A, or 4A (5 bits)
- ◆ Thermistor Fail-Safe Protection
- ◆ Space-Saving 20-Pin SSOP Package



FREE Notebook Design Guide – Sent Within 24 Hours!
Includes: Data Sheets and Cards for Free Samples

CALL TOLL-FREE 1-800-998-8800 for a Design Guide or Free Sample
6:00 a.m. – 6:00 p.m. Pacific Daylight Time

MAXIM
www.maxim-ic.com

1999 EDITION!
FREE FULL-LINE DATA CATALOG
ON CD-ROM



For Small-Quantity Orders Call (800) 835-8769 or Visit <http://www.maxim-ic.com>

MasterCard® and Visa® are accepted for evaluation kits and small-quantity orders.

Maxim Integrated Products, 120 San Gabriel Drive, Sunnyvale, CA 94086, (408) 737-7600, FAX (408) 737-7194.

Distributed by Arrow, CAM RPC, Digi-Key, Elmo, Marshall, Nu Horizons, and Zeus.
Distributed in Canada by Arrow and Marshall.

MAXIM is a registered trademark of Maxim Integrated Products. © 1999 Maxim Integrated Products.