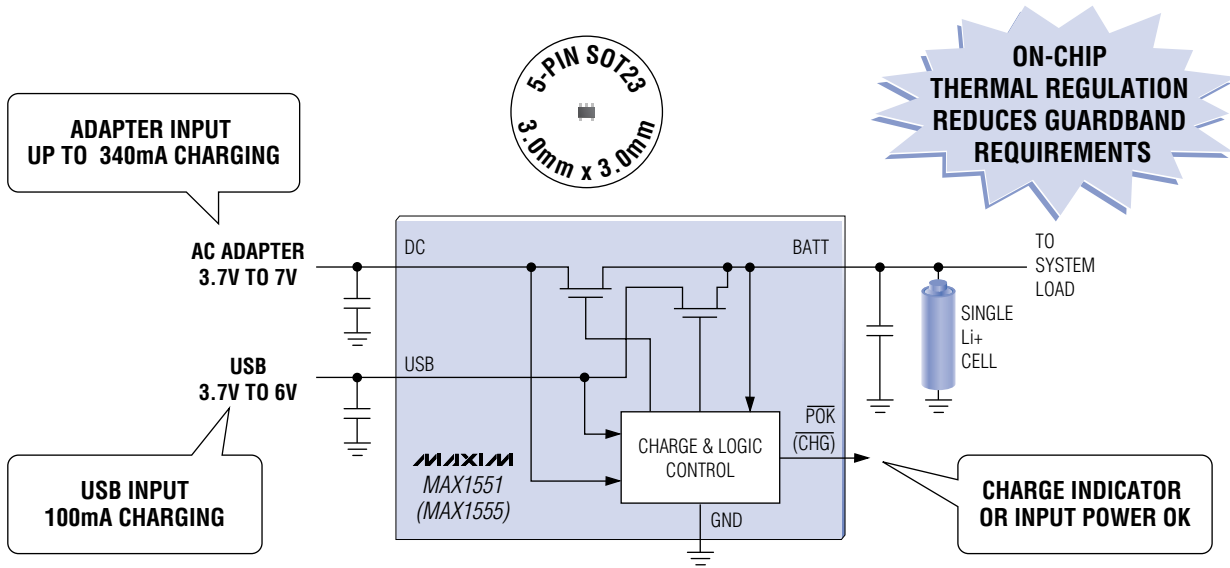


FIRST SOT23 DUAL-INPUT USB*/AC Li+ CHARGER WITH THERMAL REGULATION

Simple Application Circuit for 1-Cell Li+ Charging of Cell Phones, PDAs, MP3 Players, and Organizers

The MAX1551/MAX1555 single-cell Li+ battery chargers have two inputs so a user can charge from the AC adapter or USB port and not carry a wall cube. These chargers save space, needing no external FETs or external diodes. They actively adjust the charging current to the maximum level by thermally regulating the die junction temperature, thus reducing guardband component sizing. The MAX1551 includes a \overline{POK} output to indicate when input power is present. The MAX1555 features a \overline{CHG} output to indicate charging status.



- ◆ Charge from USB or AC Adapter
- ◆ *Protected by US Patent #6,507,172
- ◆ Automatic Switch-Over to AC Adapter

- ◆ Thermal Limiting Simplifies Board Design and Minimizes Component Sizes
- ◆ Priced at \$0.85[†]

[†]1000-up recommended resale. Prices provided are for design guidance and are FOB USA. International prices will differ due to local duties, taxes, and exchange rates. Not all packages are offered in 1k increments, and some may require minimum order quantities.

MAXIM

www.maxim-ic.com

FREE Power Supplies Design Guide—Sent Within 24 Hours!

CALL TOLL-FREE 1-800-998-8800 (6:00 a.m.—6:00 p.m. PT)

For a Design Guide or Free Sample

**MAXIM DALLAS
DIRECT!**
DISTRIBUTION
1-888-MAXIM-IC

ARROW
ARROW ELECTRONICS, INC.
1-800-777-2776

AVNET
CILICON
1-800-332-8638

Distributed by Maxim/Dallas Direct!, Arrow, Avnet Electronics Marketing, Digi-Key, and Newark.
MAXIM is a registered trademark of Maxim Integrated Products, Inc. © 2003 Maxim Integrated Products.