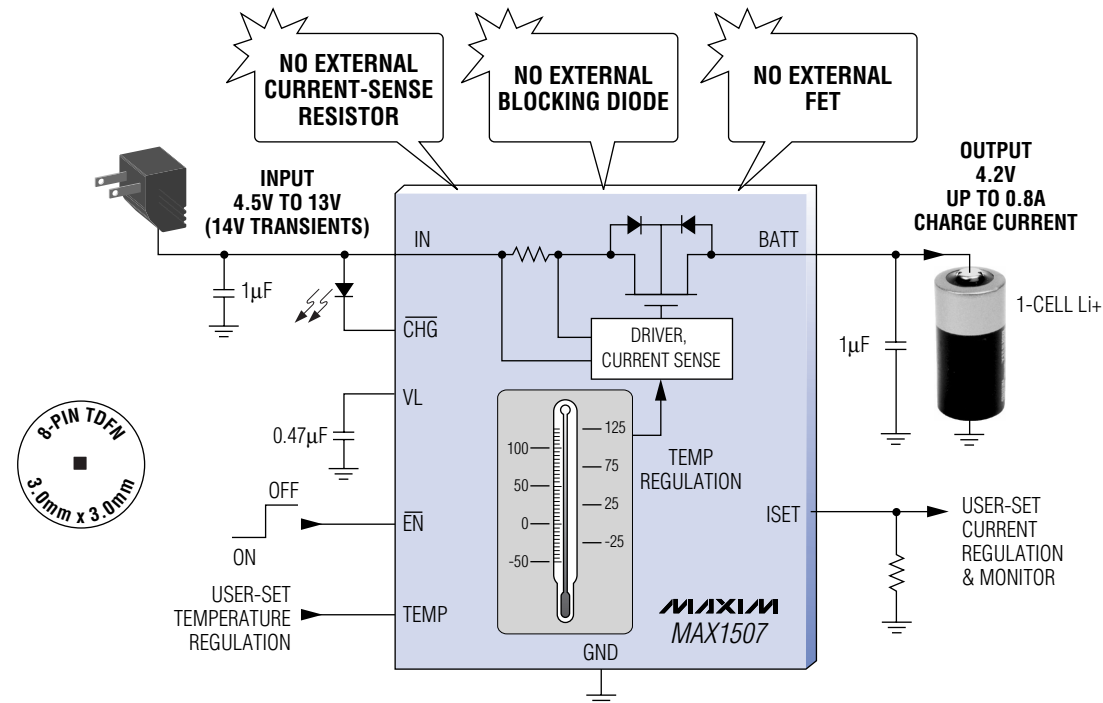


SMALLEST TEMPERATURE-REGULATED, CC-CV Li+ BATTERY CHARGER WITH HIGH 14V ADAPTER INPUT

Eliminates Heat Sink, Improves Reliability, and Fits in a Thin DFN Package

The MAX1507 integrates the power MOSFET, reverse current-blocking diode, and current-sense resistor into a tiny 3mm x 3mm Thin DFN package. By regulating temperature, current, and voltage, the MAX1507 eliminates the bulky heat sink and thermal management concerns for small handheld instruments such as cellular phones, PDAs, and digital still cameras. The thermal regulation reduces ambient temperature rise and improves product reliability. To protect against loosely regulated, inexpensive AC adapters, the MAX1507 is guaranteed to withstand input transients up to 14V.



- ◆ Tiny, 3mm x 3mm 8-Pin, Thin DFN Package (0.8mm High)
- ◆ Proprietary Temperature and CC-CV Regulation
- ◆ Overvoltage Protection Above 7V Input
- ◆ Programmable Fast Charge Current Up to 0.8A
- ◆ Charge-Current Monitor
- ◆ 0.25V Dropout Voltage at 0.5A Current
- ◆ Soft Start

MAXIM

www.maxim-ic.com

FREE Power Supplies Design Guide—Sent Within 24 Hours!

CALL TOLL-FREE 1-800-998-8800 (6:00 a.m.—6:00 p.m. PT)

For a Design Guide or Free Sample

MAXIM/DALLAS
DIRECT!
DISTRIBUTION
1-888-MAXIM-IC

ARROW
ARROW ELECTRONICS, INC.
1-800-777-2776

AVNET
CIRCOR
1-800-332-8638

Distributed by Maxim/Dallas Direct!, Arrow, Avnet Electronics Marketing, Digi-Key, and Newark.

MAXIM is a registered trademark of Maxim Integrated Products, Inc. © 2003 Maxim Integrated Products.