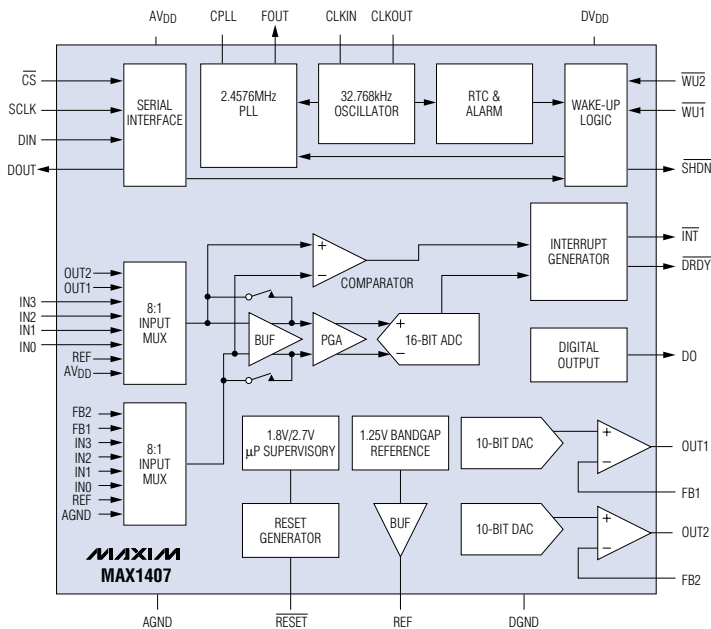




# 16-BIT ADCs INCLUDE SUPPORT FOR YOUR $\mu$ P!!

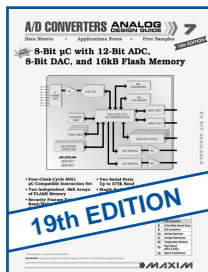
## RTC, Internal Oscillator, PLL, $\mu$ P Supervisors...All in a 20-Pin SSOP!



- ◆ **Single Supply Operation:**  
+2.7V to +3.6V
- ◆ **Low Power:**  
0.80mA Operating  
0.45mA Idle  
0.26mA Standby  
2 $\mu$ A Sleep
- ◆ **Real Time Clock (RTC) Alive In Sleep Mode with 2 $\mu$ A Supply Current**
- ◆ **Accurate:**  
16-Bit ADC with 0.003% INL  
Dual 10-Bit DACs with 0.1% INL
- ◆ **Dual Voltage Monitors 1.8% Accurate**

## Choose the Ideal Maxim ADC for Your Application

PART	FORCE/SENSE DACs	AUXILIARY ADC INPUTS	ADC DIFFERENTIAL INPUT MUX CHANNELS	ADC DATA READY OUTPUT	COMPARATOR THRESHOLD (mV)	EXTERNAL POWER SUPPLY CONTROL	PIN-PACKAGE
MAX1407	2	4	8	Yes	0	Yes	28-SSOP
MAX1408	—	8	8	Yes	0	Yes	28-SSOP
MAX1409	1	1	4	No	0	No	20-SSOP
MAX1414	2	4	8	Yes	50	Yes	28-SSOP



**FREE A/D Converters Design Guide—Sent Within 24 Hours!**  
Includes: Reply Cards for Free Samples and Data Sheets

CALL TOLL-FREE 1-800-998-8800 for a Design Guide or Free Sample  
6:00 a.m. – 6:00 p.m. Pacific Time

**MAXIM**  
www.maxim-ic.com

2001 EDITION!  
FREE FULL-LINE DATA CATALOG  
ON CD-ROM



**Get Price, Delivery, and Place Orders  
Online at www.maxim-ic.com**

Maxim Integrated Products, 120 San Gabriel Drive, Sunnyvale, CA 94086, (408) 737-7600, FAX (408) 737-7194.

Distributed by Maxim/Dallas Direct!, Arrow, Avnet Electronics Marketing, CAM RPC, Digi-Key, Elmo, Nu Horizons, and Zeus.  
Distributed in Canada by Arrow and Avnet Electronics Marketing.

MAXIM is a registered trademark of Maxim Integrated Products, Inc. © 2001 Maxim Integrated Products.