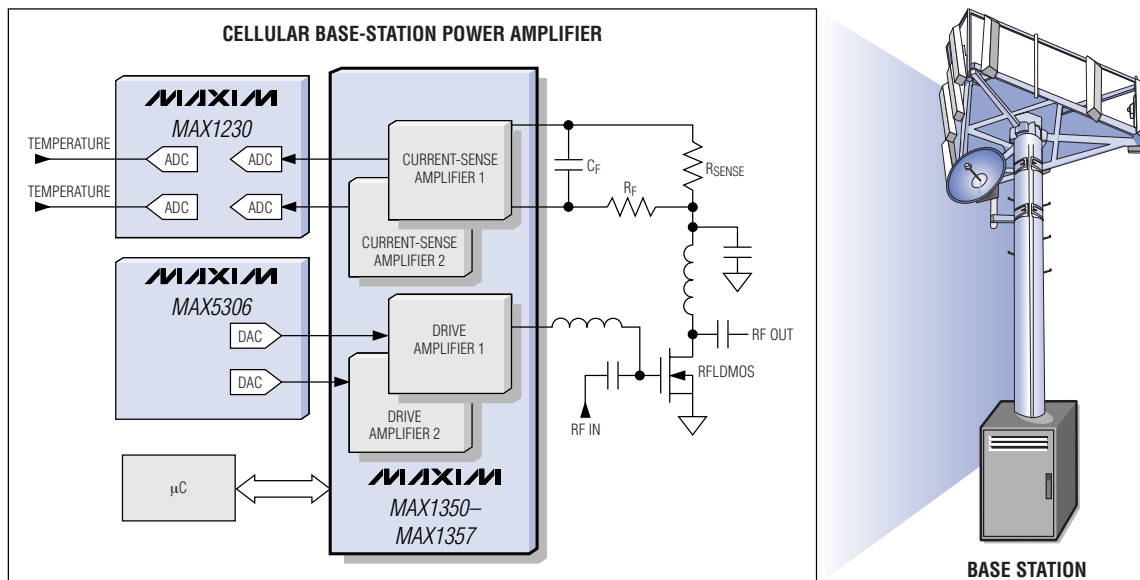


# WORLD'S ONLY HIGH-SIDE CURRENT-SENSE AMPLIFIERS AND DRIVE AMPLIFIERS IN A SINGLE IC

**±1% Current-Sense Accuracy with a 5V to 32V Common-Mode Voltage Range**



- ◆ Adjustable 5V or 10V Output Voltage with ±10mA Drive Capability
- ◆ 1µs Fast Clamp to Ground at Digital Command
- ◆ -40°C to +85°C Temperature Range



Part	Sense-Amplifier Gain (As)	Sense-Amplifier Input Offset Voltage (mV)	Drive-Amplifier Gain (Ad)	Price (\$)
MAX1350*/MAX1351*	2	3	2/4	2.49
MAX1352*/MAX1353*	2	0	2/4	2.49
MAX1354*/MAX1355*	10	0	2/4	2.49
MAX1356*/MAX1357*	10	3	2/4	2.49

\*Future product—contact factory for availability.



[www.maxim-ic.com](http://www.maxim-ic.com)

**FREE A/D Converters Design Guide—Sent Within 24 Hours!**

CALL TOLL-FREE 1-800-998-8800 (6:00 a.m.—6:00 p.m. PT)

For a Design Guide or Free Sample



Distributed by Maxim/Dallas Direct!, Arrow, Avnet Electronics Marketing, Digi-Key, and Newark.

The Maxim logo is a registered trademark of Maxim Integrated Products, Inc. The Dallas Semiconductor logo is a registered trademark of Dallas Semiconductor Corp.

© 2004 Maxim Integrated Products, Inc. All rights reserved.