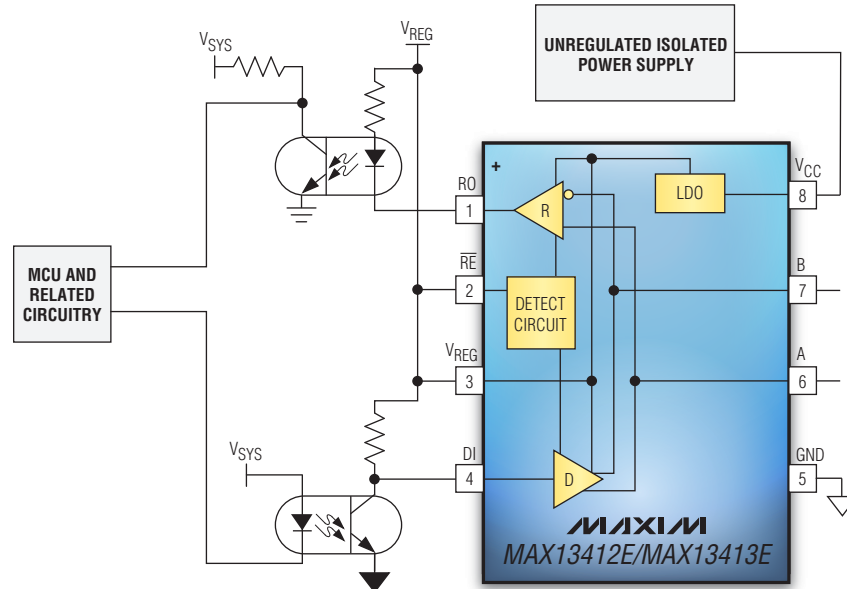




Industry's first RS-485 transceivers with an LDO and AutoDirection

LDO provides isolated power for optocouplers, AutoDirection eliminates third optocoupler



- Integrated LDO allows wide, 6V to 28V supply range
- AutoDirection control eliminates the need for an isolated control channel
- 5V output V_{REG} supplies up to 20mA to external circuitry

Ideal for

- Isolated RS-485 interfaces
- Utility meters
- Industrial equipment

Part	V _{CC} Supply (V)	Data Rate (bps)	±15kV ESD Protection*	AutoDirection	Price † (\$)
MAX13412E	6 to 28	500k	✓	✓	1.49
MAX13413E		16M			

*Human Body Model.

†1000-up recommended resale. Prices provided are for design guidance and are FOB USA. International prices will differ due to local duties, taxes, and exchange rates. Not all packages are offered in 1k increments, and some may require minimum order quantities.

www.maxim-ic.com/MAX13412E-info



www.maxim-ic.com/shop



www.em.avnet.com/maxim



For free samples or technical support, visit our website.