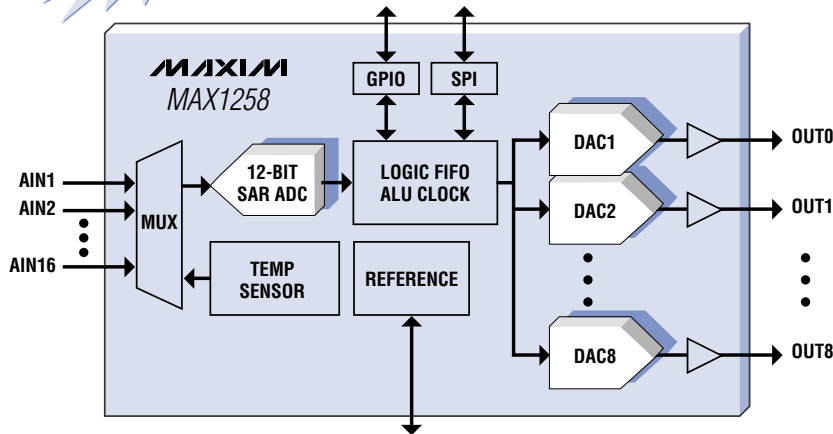


# MULTICHANNEL ADC AND DAC, TEMP SENSOR & GPIO's— ALL IN A 36-PIN TQFN

EVALUATION KIT  
AVAILABLE  
ORDER MAX1258EVKIT

## 12-Bit Precision with Unprecedented Integration



- ◆ 12- or 10-Bit, 300ksps ADC Has Analog Multiplexer with True-Differential Track/Hold (T/H)
- ◆ 12- or 10-Bit, Octal, 2.0µs DAC
- ◆ Internal ±1°C Temperature Sensor
- ◆ On-Chip FIFO
- ◆ Channel-Scan Mode and Data Averaging
- ◆ 25MHz, SPI™ Interface

Part	Supply Voltage (V)	ADC Channels	DAC Channels	GPIO's	Internal Reference	Resolution	INL (LSB)	Pin-Package
MAX1257/1057	+2.7 to +3.6	16	8	12	2.048	10/12	1	48-QFN
MAX1258/1058	+4.75 to +5.25	16	8	12	4.096	10/12	1	48-QFN
MAX1223/1023	+2.7 to +3.6	12	8	0	2.048	10/12	1	36-QFN
MAX1222/1022	+4.75 to +5.25	12	8	0	4.096	10/12	1	36-QFN
MAX1221/1021	+2.7 to +3.6	8	8	8	2.048	10/12	1	36-QFN
MAX1220/1020	+4.75 to +5.25	8	8	4	4.096	10/12	1	36-QFN
MAX1343/1043	+2.7 to +3.6	8	4	4	2.048	10/12	1	36-QFN
MAX1342/1042	+4.75 to +5.25	8	4	4	4.096	10/12	1	36-QFN
MAX1341/1041	+2.7 to +3.6	8	4	0	2.048	10/12	1	36-QFN
MAX1340/1040	+4.75 to +5.25	8	4	0	4.096	10/12	1	36-QFN
MAX1349/1049	+2.7 to +3.6	4	4	4	2.048	10/12	1	36-QFN
MAX1348/1048	+4.75 to +5.25	4	4	4	4.096	10/12	1	36-QFN
MAX1347/1047	+2.7 to +3.6	4	4	0	2.048	10/12	1	36-QFN
MAX1346/1046	+4.75 to +5.25	4	4	0	4.096	10/12	1	36-QFN

SPI is a trademark of Motorola, Inc.



[www.maxim-ic.com](http://www.maxim-ic.com)

**FREE A/D Converters Design Guide—Sent Within 24 Hours!**

**CALL TOLL-FREE 1-800-998-8800 (6:00 a.m.–6:00 p.m. PT)**

**For a Design Guide or Free Sample**



Distributed by Maxim/Dallas Direct!, Arrow, Avnet Electronics Marketing, Digi-Key, and Newark.

MAXIM is a registered trademark of Maxim Integrated Products, Inc. DALLAS is a registered trademark of Dallas Semiconductor Corp.  
© 2004 Maxim Integrated Products, Inc. All rights reserved.