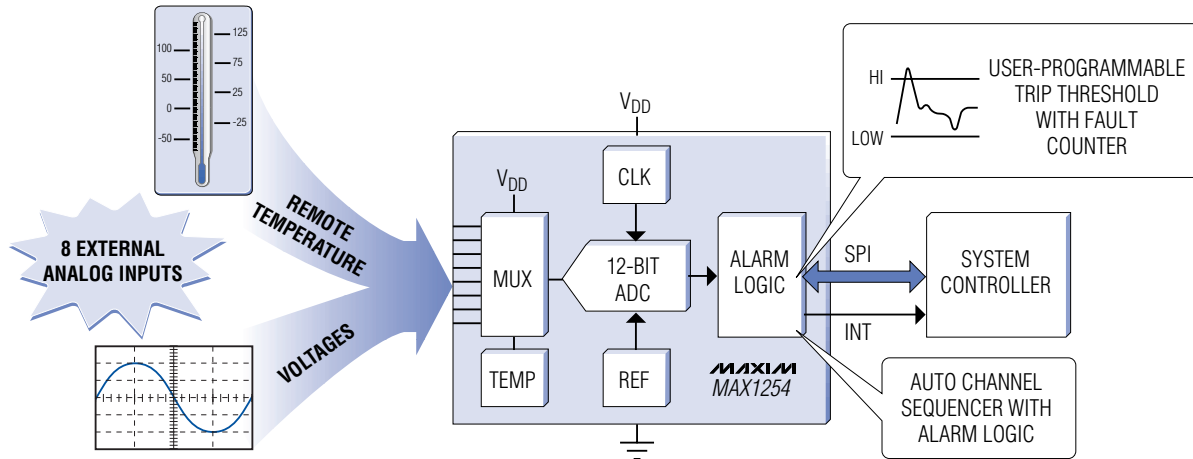


# ADC MONITORS SYSTEM SIGNALS WITHOUT MICROPROCESSOR INTERACTION

Automatically monitors analog inputs and alarms when programmable thresholds are exceeded. Digital averaging and consecutive fault counters reduce occurrence of false alarms in noisy environments.



- ◆ **Monitors 2 Internal Inputs**
  - ◆  $V_{DD}$ ,  $\pm 1\%$  Accurate
  - ◆ On-Chip Temperature,  $\pm 1^\circ\text{C}$
- ◆ **Monitors 8 External Inputs**
  - ◆ Single Ended or Differential, Voltage Measurements, or Remote Diode Temperature Measurements
- ◆ **Autonomous Alarming Functions**
  - ◆ Programmable Trip Windows
  - ◆ Programmable Digital Averaging and Fault Counter
  - ◆  $\pm 1\text{LSB INL}$ ,  $\pm 1\text{LSB DNL}$
  - ◆ Auto-Channel Sequencer
  - ◆ Up to 90kps Conversion Rates

Part	Resolution (LSB)	Supply Voltage (V)	Conversion Rate (kps)	Reference (V)	Pin-Package	Price <sup>†</sup> (\$)
MAX1153	10	2.7 to 3.6	90	2.5	16-TSSOP	3.50
MAX1154	10	4.5 to 5.5	90	4.096	16-TSSOP	3.50
MAX1253	12	2.7 to 3.6	90	2.5	16-TSSOP	4.95
MAX1254	12	4.5 to 5.5	90	4.096	16-TSSOP	4.95

<sup>†</sup>1000-up recommended resale. Prices provided are for design guidance and are FOB USA. International prices will differ due to local duties, taxes, and exchange rates. Not all packages are offered in 1k increments, and some may require minimum order quantities.



[www.maxim-ic.com](http://www.maxim-ic.com)

**FREE A/D Converters Design Guide—Sent Within 24 Hours!**

**CALL TOLL-FREE 1-800-998-8800 (6:00 a.m.—6:00 p.m. PT)**

**For a Design Guide or Free Sample**



Distributed by Maxim/Dallas Direct!, Arrow, Avnet Electronics Marketing, Digi-Key, and Newark.

MAXIM is a registered trademark of Maxim Integrated Products, Inc. © 2003 Maxim Integrated Products.