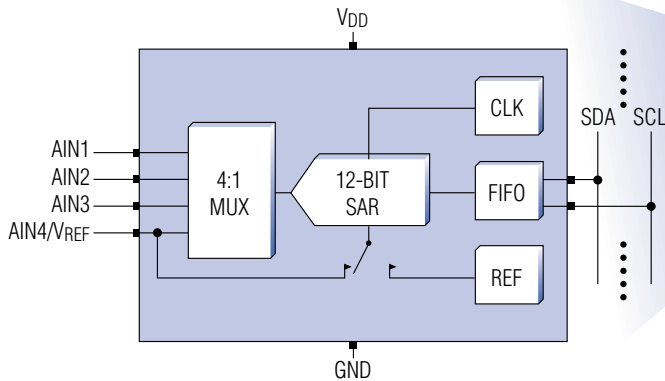


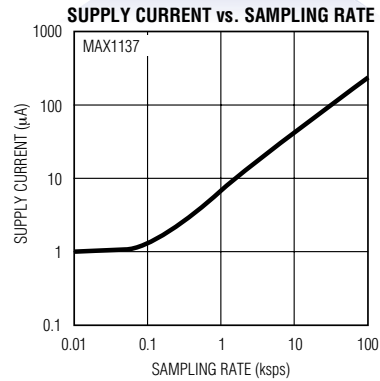
SMALLEST, 4-/12-CHANNEL 10-/12-BIT ADCs ARE I²C™ COMPATIBLE



53% SMALLER THAN COMPETITION



LOW POWER



- ◆ 94.4ksps 10-/12-Bit ADCs
- ◆ 1/2 LSB Relative Accuracy
- ◆ FIFO Minimizes Interface Overhead
- ◆ Up to 1.7MHz I²C Compatible Bus

Choose the Best I²C ADC for Your Application 8-Bit Versions (MAX1036–MAX1039) Also Available

PART	RESOLUTION (BITS)	CHANNEL	I _{DD} (µA)	V _{DD} (V)	V _{REF} (V)	PIN-PACKAGE	PRICE† (\$)
MAX1136/1138	10	4/12	320	5	4.096	8-µMAX/16-QSOP	2.75/2.99
MAX1137/1139	10	4/12	250	3	2.048	8-µMAX/16-QSOP	2.75/2.99
MAX1236/1238	12	4/12	320	5	4.096	8-µMAX/16-QSOP	3.85/4.19
MAX1237/1239	12	4/12	250	3	2.048	8-µMAX/16-QSOP	3.85/4.19

I²C is a trademark of Philips Corp.

†1,000-up recommended resale, FOB USA. Prices provided are for design guidance and are for the lowest grade, commercial temperature parts. International prices will differ due to local duties, taxes, and exchange rates. Prices are subject to change. Not all packages are offered in 1k increments, and some may require minimum order quantities.



FREE A/D Converters Design Guide—Sent Within 24 Hours!
Includes: Reply Cards for Free Samples and Data Sheets

CALL TOLL-FREE 1-800-998-8800 for a Design Guide or Free Sample □
6:00 a.m. – 6:00 p.m. Pacific Time

MAXIM
www.maxim-ic.com

2001 EDITION!
FREE FULL-LINE DATA CATALOG
ON CD-ROM



MAXIM/DALLAS SEMICONDUCTOR
DIRECT!
DISTRIBUTION
1-888-MAXIM-IC

ARROW
ARROW ELECTRONICS, INC.
1-800-777-2776

AVNET
electronics marketing
1-800-332-8638

Maxim Integrated Products, 120 San Gabriel Drive, Sunnyvale, CA 94086, (408) 737-7600, FAX (408) 737-7194.

Distributed by Maxim/Dallas Direct!, Arrow, Avnet Electronics Marketing, Digi-Key, and Newark.

Distributed in Canada by Arrow and Avnet Electronics Marketing.

MAXIM is a registered trademark of Maxim Integrated Products, Inc. © 2002 Maxim Integrated Products.