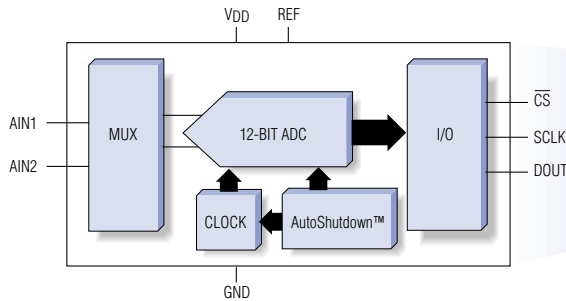
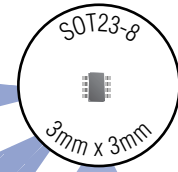


WORLD'S SMALLEST, LOWEST POWER 10-/12-BIT ADCs



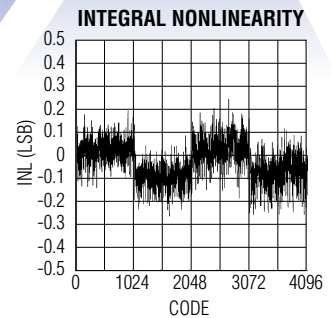
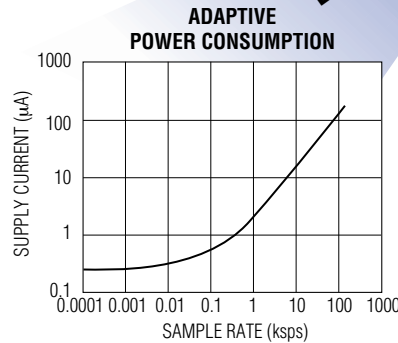
HIGHLY INTEGRATED



LOWEST POWER

ACCURATE

- ◆ Single-Supply Operation
- ◆ Automatic Power-Down Between Conversions
- ◆ True Differential
- ◆ 165ksps Max Conversion Rate
- ◆ SPI™, QSPI™, MICROWIRE™ Compatible Serial Interface



PART	RESOLUTION (BITS)	INPUT CHANNELS	SUPPLY VOLTAGE (V)	TRUE DIFFERENTIAL	AutoShutdown	POWER (mW max)	PACKAGE	PRICE† (\$)
MAX1287	12	2	+2.7 to +3.6	—	Yes	1	SOT23	3.45
MAX1289	12	1	+2.7 to +3.6	Yes	Yes	1	SOT23	3.45
MAX1286	12	2	+4.5 to +5.5	—	Yes	1.75	SOT23	3.45
MAX1288	12	1	+4.5 to +5.5	Yes	Yes	1.75	SOT23	3.45
MAX1087	10	2	+2.7 to +3.6	—	Yes	1	SOT23	2.40
MAX1089	10	1	+2.7 to +3.6	Yes	Yes	1	SOT23	2.40
MAX1086	10	2	+4.5 to +5.5	—	Yes	1.75	SOT23	2.40
MAX1088	10	1	+4.5 to +5.5	Yes	Yes	1.75	SOT23	2.40

SPI/QSPI are trademarks of Motorola, Inc. MICROWIRE is a trademark of National Semiconductor Corp. AutoShutdown is a trademark of Maxim Integrated Products, Inc. †1000-up recommended resale, FOB USA. Prices provided are for design guidance and are FOB USA. International prices will differ due to local duties, taxes, and exchange rates. Not all packages are offered in 1k increments, and some may require minimum order quantities.



FREE A/D Converters Design Guide—Sent Within 24 Hours!
Includes: Reply Cards for Free Samples and Data Sheets

CALL TOLL-FREE 1-800-998-8800 for a Design Guide or Free Sample ☐
6:00 a.m. – 6:00 p.m. Pacific Time

MAXIM
www.maxim-ic.com

2002 EDITION!
FREE FULL-LINE DATA CATALOG
ON CD-ROM



MAXIM/DALLAS SEMICONDUCTOR
DIRECT!
DISTRIBUTION
1-888-MAXIM-IC

ARROW
ARROW ELECTRONICS, INC.
1-800-777-2776

cilicon
An Avnet Company
1-800-332-8638

Maxim Integrated Products, 120 San Gabriel Drive, Sunnyvale, CA 94086, (408) 737-7600, FAX (408) 737-7194.

Distributed by Maxim/Dallas Direct!, Arrow, Avnet Electronics Marketing, Digi-Key, and Newark.
Distributed in Canada by Arrow and Avnet Electronics Marketing.

MAXIM is a registered trademark of Maxim Integrated Products, Inc. © 2002 Maxim Integrated Products.