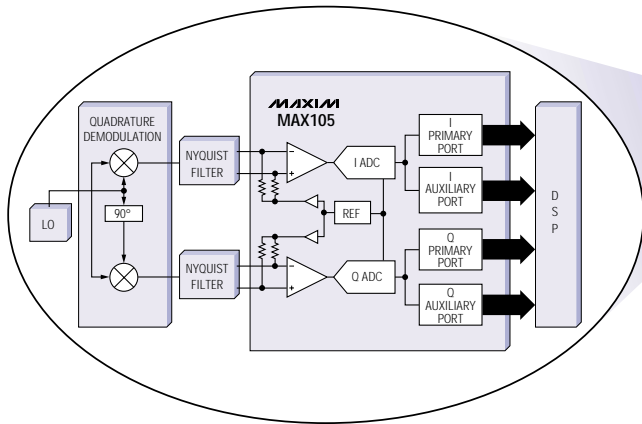


WORLD'S FIRST WIDEBAND, 6-BIT I/Q DIGITIZER DELIVERS 37dB SNR AT 800Msps

Ideal for Ultra-High Data Rate Broadband Communication Systems



FEATURES

- ◆ On-Chip 6:12 Demux with LVDS Outputs
- ◆ 36.4dB SINAD, 45dB SFDR at $f_{IN} = 200\text{MHz}$
- ◆ Excellent Gain/Phase Matching
- ◆ 1.5GHz, -3dB Full-Power Bandwidth

BENEFITS

- ◆ Ease of Interface with Digital Processors
- ◆ Excellent Wideband Performance
- ◆ Eliminates External Calibration and Trimming
- ◆ Enables Wideband Signal Capture

New High-Speed Data Converters Increase BW and f_{SAMPLE} by $\gg 10\times$!

PART	f_{SAMPLE} (MHz)	BW (MHz)	SNR (dB)
MAX105	800	1500	37
MAX107	400	1500	36.6
MAX1002/03	60/90	55	N/A
VP213A/VP215	90	200	31.8
TDA8705A	80	50	36



FREE High-Speed ADC/DAC Design Guide—Sent Within 24 Hours!
Includes: Reply Cards for Free Samples and Data Sheets

CALL TOLL-FREE 1-800-998-8800 for a Design Guide or Free Sample
6:00 a.m. – 6:00 p.m. Pacific Time

MAXIM
www.maxim-ic.com

2001 EDITION!
FREE FULL-LINE DATA CATALOG
ON CD-ROM



NEW! Get Price, Delivery, and Place Orders
Online at www.maxim-ic.com

Maxim Integrated Products, 120 San Gabriel Drive, Sunnyvale, CA 94086, (408) 737-7600, FAX (408) 737-7194.

Distributed by Maxim/Dallas Direct!, Arrow, Avnet Electronics Marketing, CAM RPC, Digi-Key, Elmo, Nu Horizons, and Zeus.
Distributed in Canada by Arrow and Avnet Electronics Marketing.

MAXIM is a registered trademark of Maxim Integrated Products, Inc. © 2001 Maxim Integrated Products.