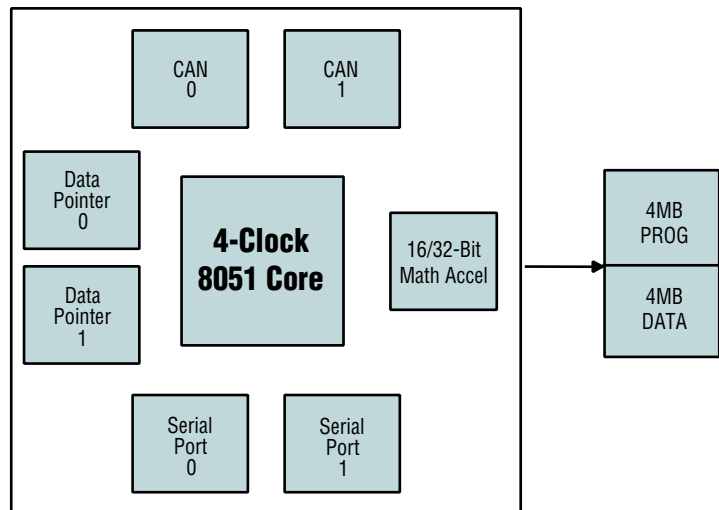


# DUAL CAN 2.0B HIGH-PERFORMANCE 8051 MICROPROCESSOR

**8MB Total Memory Addressing, 4MB Program Space,  
10 MIPs and 16/32-Bit Arithmetic Accelerator**

The DS80C390 offers two full-function CAN 2.0B processors combined with Dallas' high-performance, four-clock-per-instruction, 8051-compatible core. Additional features include two data pointers with increment and decrement capability, a 2x/4x clock multiplier that eases crystal selection, and a power management mode that reduces power by operating the processor at a slower internal frequency.

- ◆ 40MHz Operation
- ◆ 4KB Internal SRAM
- ◆ Sixteen Interrupts
- ◆ Watchdog Timer
- ◆ Oscillator Fail Detect
- ◆ Power Fail Interrupt/Reset
- ◆ EMI Reduction — Special Bus Drivers, Clock Multiplier, Selective ALE Disabling



PART	PACKAGE	TEMP RANGE
DS80C390-QCR	68-Pin PLCC	0°C to +70°C
DS80C390-QNR	68-Pin PLCC	-40°C to +85°C
DS80C390-FCR	64-Pin QFP	0°C to +70°C
DS80C390-FNR	64-Pin QFP	-40°C to +85°C

Compiler Support for  
22-Bit Contiguous (Flat)  
Addressing Mode Now  
Available at  
[www.maxim-ic.com/DS390](http://www.maxim-ic.com/DS390).

**CALL TOLL-FREE 1-800-998-8800 for a Brochure or Free Sample  
6:00 a.m.—6:00 p.m. Pacific Time**



[www.maxim-ic.com](http://www.maxim-ic.com)

FREE FULL-LINE DATA CATALOG  
ON CD-ROM



**NEW!**

Get Price, Delivery, and Place Orders  
Online at [www.maxim-ic.com](http://www.maxim-ic.com)

Dallas Semiconductor, 4401 South Beltwood Parkway, Dallas, Texas 75244-3292 Phone: 972-371-4448 Fax: 972-371-4470