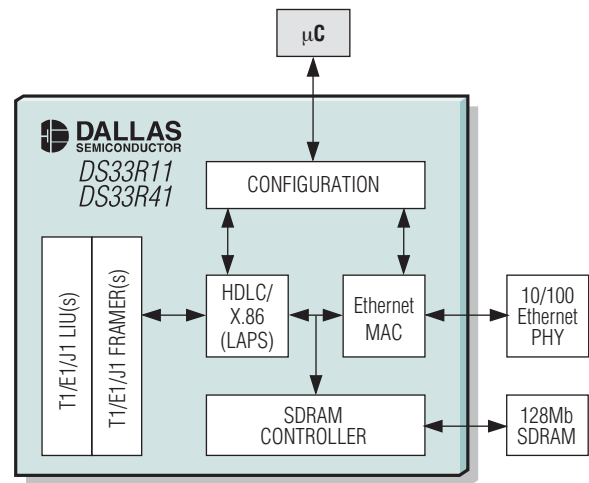


WORLD'S FIRST ETHERNET-TO-T1/E1 MEDIA CONVERTERS WITH INTEGRATED TRANSCEIVERS

The DS33R11/DS33R41 are designed for Ethernet extension, transparent LAN service, WAN bridges, DSLAMs, and xDSL equipment. They economically transport Ethernet packets over T1/E1/J1 facilities, utilizing HDLC/X.86 (LAPS) encapsulation. The DS33R11 contains a single T1/E1/J1 transceiver. The DS33R41 supports Ethernet extension with Layer-1 inverse multiplexing over four integrated T1/E1/J1 links. OAM and signaling are supported for integration into existing PDH networks. The product family also contains optimized devices for applications only requiring a TDM output, such as HDSL and optical interfaces.

FEATURES THAT BEAT THE COMPETITION

- ◆ Map Ethernet Packets into HDLC/X.86 (LAPS) and Transmit Directly over T1/E1/J1
- ◆ Up to Four T1/E1/J1 Framers with LIUs
- ◆ Gapped Clock Enables N x DS0 Transport
- ◆ DS33R41 Inverse Multiplexes Packets on Four T1/E1/J1 Lines
- ◆ BERT and Loopbacks for Diagnostic Testing
- ◆ Full T1/E1/J1 Performance Monitoring
- ◆ Programmable, Committed Information Rate



Part	No. of Ethernet Ports	No. of Serial TDM/T1/E1/J1 Ports	Package	Price† (\$)
DS33R11	1	1 T1/E1/J1	17mm CSBGA	25.64
DS33R41	1	4 T1/E1/J1	27mm BGA	60.90
DS33Z11	1	1 TDM	14mm CSBGA	15.92
DS33Z41	1	4 TDM	14mm CSBGA	37.70
DS33Z44	4	4 TDM	17mm CSBGA	55.10

INTEGRATED T1/E1/J1 TRANSCEIVERS SIMPLIFY DESIGNS!

SAVE 40% OVER COMPETING MULTICHIP SOLUTIONS

*5k-up recommended resale, FOB USA. Prices provided are for design guidance and are FOB USA. International prices will differ due to local duties, taxes, and exchange rates. Not all packages are offered in 1k increments, and some may require minimum order quantities.



www.maxim-ic.com/converge

FREE Communications Design Guide—Sent Within 24 Hours!

CALL TOLL FREE 1-800-998-8800 (6:00 a.m.–6:00 p.m. PT)

For a Design Guide or Free Sample



Distributed by Maxim/Dallas Direct!, Arrow, Avnet Electronics Marketing, Digi-Key, and Newark.

The Maxim logo is a registered trademark of Maxim Integrated Products, Inc. The Dallas Semiconductor logo is a registered trademark of Dallas Semiconductor Corp.

© 2005 Maxim Integrated Products, Inc. All rights reserved.