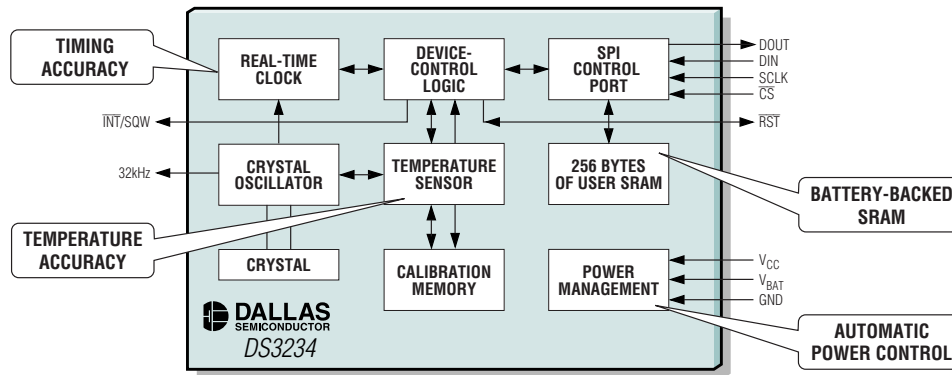


EXTREMELY ACCURATE RTC SUPPORTS MICROPROCESSORS USING SPI-COMPATIBLE INTERFACE

±1min/year Accuracy at 0°C to +40°C Temperature Range

The DS3234 RTC provides accuracies of better than ±1.8min/year (< ±3.5ppm) over the -40°C to +85°C industrial temperature range and ±1min/year (< ±2.0ppm) in the 0°C to +40°C temperature range. The device supports embedded system applications that control and communicate with peripheral devices through a SPI™-compatible interface. Access to time, temperature, and memory is accomplished through this same interface.



- ◆ **SPI Interface Enables Compatibility with Motorola® Processors**
- ◆ **No User Calibration Required**
- ◆ **Integrated Crystal**
- ◆ **Automatic Power-Fail Detect and Switch Circuitry**
- ◆ **20-Pin, 300-mil SO Package**
- ◆ **Applications**
 - ◆ **Automotive**
 - ◆ **Electricity Meters**
 - ◆ **Telematics**
 - ◆ **Security and Access Control**
 - ◆ **GPS**
 - ◆ **Servers**



Part	RTC Accuracy (min/yr)	Temp Accuracy (°C)	Control Interface	SRAM (Bytes)	Operating Voltage (V)	Standby Current (µA)
DS3234	< ±2.0	±3.0	SPI	256	2.0 to 5.5	< 3.0
DS3232	< ±2.0	±3.0	I ² C	236	2.0 to 5.5	< 3.0
DS3231	< ±2.0	±3.0	I ² C	—	2.0 to 5.5	< 3.0

SPI is a trademark of Motorola, Inc.
Motorola is a registered trademark of Motorola, Inc.



www.maxim-ic.com/DS3234RTC

FREE Real-Time Clocks Design Guide—Sent Within 24 Hours!

CALL TOLL FREE 1-800-998-8800 (7:00 a.m.–5:00 p.m. PT)

For a Design Guide or Free Sample



Distributed by Maxim/Dallas Direct!, Arrow, Avnet Electronics Marketing, Digi-Key, and Newark.

The Maxim logo is a registered trademark of Maxim Integrated Products, Inc. The Dallas Semiconductor logo is a registered trademark of Dallas Semiconductor Corp.

© 2006 Maxim Integrated Products, Inc. All rights reserved.