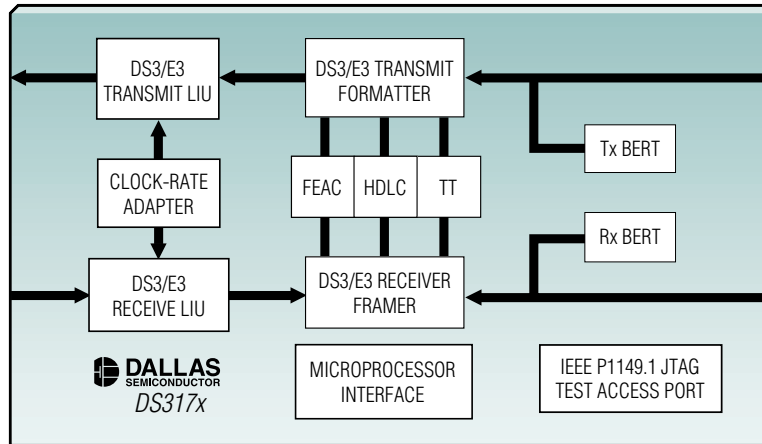


# INDUSTRY'S ONLY MULTI-PORT T3/E3 SINGLE-CHIP TRANSCEIVERS (SCTs)

Integrated T3/E3 Framers and LIUs Minimize Design Time, and Simplify Layout



## Improvements Over Competitive Solutions

- ◆ **Framer Plus LIU Integrated on a Single Die**
- ◆ **Pin and Software-Compatible Quad (DS3174), Triple (DS3173), Dual (DS3172), or Single (DS3171) SCTs**
- ◆ **Pin and Software-Compatible with DS318x Family for Future Upgrade to ATM and/or Packet Support**
- ◆ **Integrated Clock-Rate Adapter Generates Required Frequencies from Single DS3/E3/STS-1 Reference Frequency**
- ◆ **Loop Timing Modes Supported**

## Additional Benefits

- ◆ **Each Port Can Be Disabled to Reduce Power**
- ◆ **All Ports Are Independently Configurable for DS3/E3**
- ◆ **Built-In Jitter Attenuator (JA) for Each Port Can Be Placed in the Receive or Transmit Path**
- ◆ **On-Chip BERTs for Analysis of Each Port**

Part	No. of Ports	Package
DS3170	1	11mm CSBGA, 14mm LQFP
DS3171*	1	27mm CSBGA
DS3172*	2	27mm CSBGA
DS3173*	3	27mm CSBGA
DS3174	4	27mm CSBGA

## Smallest and Lowest Power SCT Offers Choice of Interfaces

Packaged in a tiny 11mm CSBGA, the DS3170 is the smallest T3/E3 SCT in the industry. It also consumes the lowest power (500mW). The DS3170 provides all the features of the DS317x SCT family, while giving the user the additional option to use the SPI™ serial communications interface.

\*Future product—contact factory for availability.



[www.maxim-ic.com/telecom](http://www.maxim-ic.com/telecom)

**FREE Communications Design Guide—Sent Within 24 Hours!**

CALL TOLL FREE 1-800-998-8800 (6:00 a.m.–6:00 p.m. PT)

For a Design Guide or Free Sample



Distributed by Maxim/Dallas Direct!, Arrow, Avnet Electronics Marketing, Digi-Key, and Newark.

The Maxim logo is a registered trademark of Maxim Integrated Products, Inc. The Dallas Semiconductor logo is a registered trademark of Dallas Semiconductor Corp.  
© 2004 Maxim Integrated Products, Inc. All rights reserved.