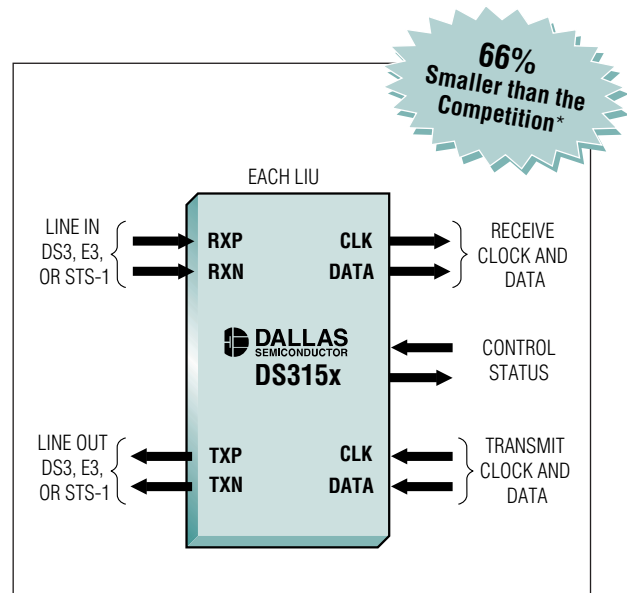


WORLD'S SMALLEST MULTICHANNEL T3/E3 LIU'S SAVE SPACE AND COST

The DS3151–DS3154 are small, low-cost line interface units (LIUs) that interface at the physical layer to multiple T3, E3, or STS-1 lines. Each LIU consists of a receiver, transmitter, and built-in jitter attenuator. The receiver recovers incoming clock and data for cable lengths up to 1200 feet. The transmitter drives waveshapes with excellent template compliance onto the outgoing cable. The jitter attenuator ensures compliance with all applicable jitter standards.

- ◆ Up to Four LIUs in a Tiny 13mm CSBGA Package, All Pin Compatible with One Another
- ◆ Independently Configure Each Channel for T3, E3, or STS-1
- ◆ Comply with All ANSI, ITU, ETSI, and Telcordia Standards
- ◆ Jitter Attenuators Can Be in Transmit Path, Receive Path, or Disabled
- ◆ Two Options for Status and Control
 - ◆ CPU Bus Mode: 8-Bit Microprocessor Interface
 - ◆ Hardware Mode: Configuration Input Pins and Status Output Pins
- ◆ Optional B3ZS/HDB3 Encoder and Decoder
- ◆ Other Great Features: Loopbacks, Transmit Tri-State, Per-Channel Power-Down, PRBS Generator/Detector, and AIS Generator



Part	Number of LIUs	Temp Range (°C)	Pin-Package
DS3151	1	0 to +70	144-CSBGA, 13mm x 13mm
DS3151N	1	-40 to +85	144-CSBGA, 13mm x 13mm
DS3152	2	0 to +70	144-CSBGA, 13mm x 13mm
DS3152N	2	-40 to +85	144-CSBGA, 13mm x 13mm
DS3153	3	0 to +70	144-CSBGA, 13mm x 13mm
DS3153N	3	-40 to +85	144-CSBGA, 13mm x 13mm
DS3154	4	0 to +70	144-CSBGA, 13mm x 13mm
DS3154N	4	-40 to +85	144-CSBGA, 13mm x 13mm

*For the 4-channel LIU.



www.maxim-ic.com/telecom

FREE Communications Design Guide—Sent Within 24 Hours!

CALL TOLL-FREE 1-800-998-8800 (6:00 a.m.—6:00 p.m. PT)

For a Design Guide or Free Sample

