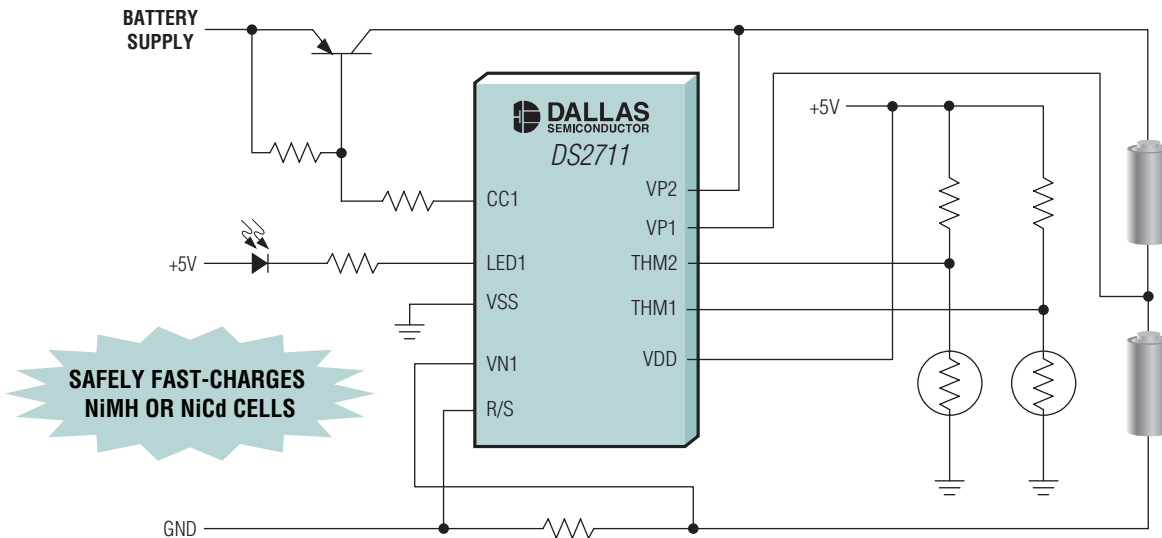


THE ONLY INTEGRATED LOOSE-CELL NiMH CHARGER THAT WILL *NOT* CHARGE ALKALINE BATTERIES

The DS2711 safely fast-charges one or two NiMH or NiCd cells, configured either in series or parallel, while prohibiting the accidental charging of alkaline cells or other inappropriate batteries. Providing continuous monitoring of time, temperature, and voltage, this device precisely controls charge while regulating charge current. The DS2711 is the optimal solution for loose-cell systems such as digital cameras, MP3 players, and stand-alone wall chargers.



- ◆ Monitors and Charges One or Two Cells Either in Series or Parallel
- ◆ Prohibits the Charging of Nonrechargeables, such as Alkaline or Lithium
- ◆ Current-Control Error Amplifier Supports Linear Charge Control or Switcher Feedback
- ◆ Charge Termination Achieved Through Programmable Timer, Peak-Voltage Detection, or Excess Temperature
- ◆ Charge-Status Outputs Inform User of Present Charge State for Easy Stand-Alone Configuration
- ◆ 16-Pin SO Package (150mil) and Priced at \$1.80[†]

[†]1000-up recommended resale. Prices provided are for design guidance and are FOB USA. International prices will differ due to local duties, taxes, and exchange rates. Not all packages are offered in 1k increments, and some may require minimum order quantities.



www.maxim-ic.com

FREE Battery Management Design Guide—Sent Within 24 Hours!

CALL TOLL-FREE 1-800-998-8800 (6:00 a.m.—6:00 p.m. PT)

For a Design Guide or Free Sample



Distributed by Maxim/Dallas Direct!, Arrow, Avnet Electronics Marketing, Digi-Key, and Newark.

The Maxim logo is a registered trademark of Maxim Integrated Products, Inc. The Dallas Semiconductor logo is a registered trademark of Dallas Semiconductor.

© 2004 Maxim Integrated Products, Inc. All rights reserved.