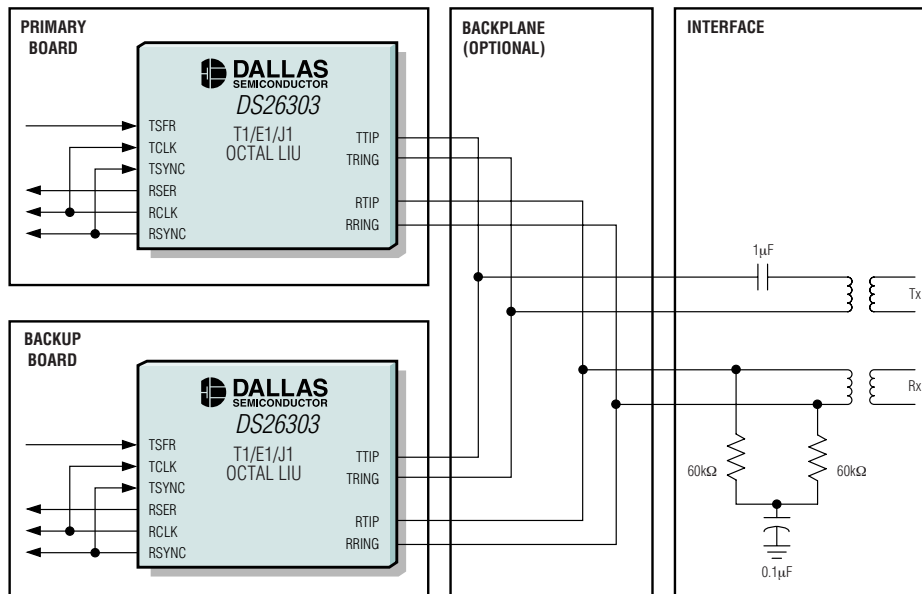


8-CHANNEL, SHORT-HAUL LIU REPLACES COMPETITIVE PARTS AT INDUSTRY'S LOWEST COST PER PORT

Drop-In Replacement for IDT82V2048 and LXT384

DS26303 is a 3.3V, T1/E1/J1, 8-channel, short-haul line interface that beats the competition in several categories: low power, jitter attenuation, open-circuit and short-circuit detection, programmability, and software-selectable options. With an integrated BERT and the industry's lowest price, this LIU is your best value.

HITLESS PROTECTION SWITCHING WITH 1+1 REDUNDANCY



- ◆ Single BOM for T1, E1, and J1 Boards
- ◆ Transmit- and Receive-Side Impedance Matching
- ◆ Supports 1+1 Redundancy Applications
- ◆ JTAG Support Available
- ◆ Available in 144-Pin LQFP and RoHS-Compliant Packages
- ◆ Internal Transmit- and Receive-Side Software-Selectable Termination

**LOWEST PRICE
IN THE INDUSTRY—
ONLY \$1.50 PER
PORT†**

†25k-piece price provided is for design guidance and is FOB USA. International prices will differ due to local duties, taxes, and exchange rates. Not all packages are offered in 1k increments, and some may require minimum order quantities.



www.maxim-ic.com

FREE Communications Design Guide—Sent Within 24 Hours!

CALL TOLL FREE 1-800-998-8800 (6:00 a.m.–6:00 p.m. PT)

For a Design Guide or Free Sample



Distributed by Maxim/Dallas Direct!, Arrow, Avnet Electronics Marketing, Digi-Key, and Newark.

The Maxim logo is a registered trademark of Maxim Integrated Products, Inc. The Dallas Semiconductor logo is a registered trademark of Dallas Semiconductor Corp.

© 2005 Maxim Integrated Products, Inc. All rights reserved.