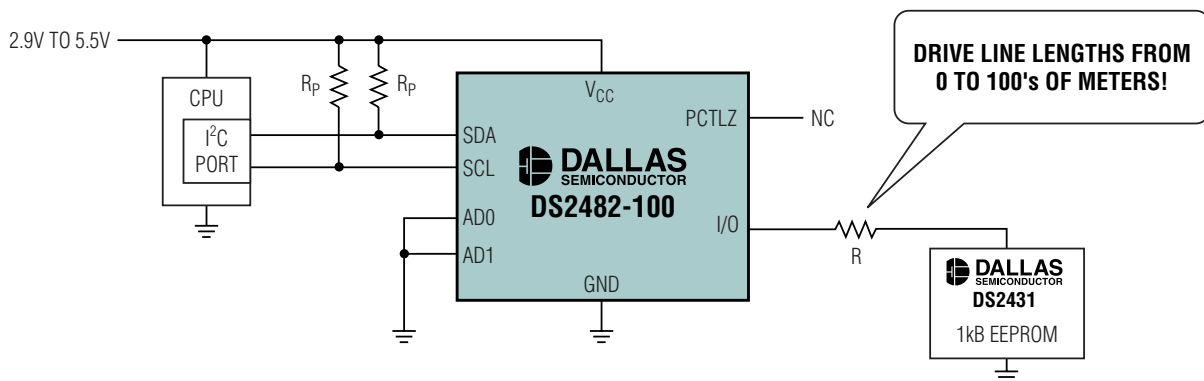


# INDUSTRY'S FIRST I<sup>2</sup>C TO 1-WIRE LINE DRIVERS

## Optimize 1-Wire Waveform Generation and Offload Host Software with Compact Command Set

The DS2482-x00 are I<sup>2</sup>C™ to 1-Wire® bridge devices that perform bidirectional protocol conversion between an I<sup>2</sup>C host interface and 1-Wire slave devices. User-programmable features provide control of 1-Wire waveforms to optimize drive characteristics to the 1-Wire slave configuration. High-level commands and self-timed waveform generation offload 1-Wire protocol control from the host processor. The DS2482-100 provides a single 1-Wire I/O port. The DS2482-800 integrates eight 1-Wire I/O ports for applications where individual connections to 1-Wire slaves are required or where the physical location of a slave needs to be identified.



- ◆ Regular and Overdrive 1-Wire Communication Speeds
- ◆ I<sup>2</sup>C Host Interface Supports 100kHz and 400kHz Communication Speeds
- ◆ Edge Control of 1-Wire Waveforms Extends Communication Distances
- ◆ Supports Low-Impedance Strong Pullup for Slaves with Momentary High Source Current Modes

- ◆ Resistive or Active 1-Wire Pullup
- ◆ Supports 1-Wire Presence Pulse Falling-Edge Masking
- ◆ Wide Operating Range: 2.9V to 5.5V, -40°C to +85°C
- ◆ Priced from \$0.57† (DS2482-100)

See [www.maxim-ic.com/DS2482AD](http://www.maxim-ic.com/DS2482AD)  
for additional information and free samples!!

†10,000-up recommended resale. Price provided is for design guidance and is FOB USA. International prices will differ due to local duties, taxes, and exchange rates. Not all packages are offered in 1k increments, and some may require minimum order quantities.

I<sup>2</sup>C is a trademark of Philips Corp. Purchase of I<sup>2</sup>C components from Maxim Integrated Products, Inc., or one of its sublicensed Associated Companies, conveys a license under the Philips I<sup>2</sup>C Patent Rights to use these components in an I<sup>2</sup>C system, provided that the system conforms to the I<sup>2</sup>C Standard Specification as defined by Philips.

1-Wire is a registered trademark of Dallas Semiconductor Corp.



[www.maxim-ic.com](http://www.maxim-ic.com)

**FREE 1-Wire Products Design Guide—Sent Within 24 Hours!**

CALL TOLL-FREE 1-800-998-8800 (6:00 a.m.—6:00 p.m. PT)

For a Design Guide or Free Sample



Distributed by Maxim/Dallas Direct!, Arrow, Avnet Electronics Marketing, Digi-Key, and Newark.

MAXIM is a registered trademark of Maxim Integrated Products, Inc. DALLAS is a registered trademark of Dallas Semiconductor Corp. © 2004 Maxim Integrated Products.