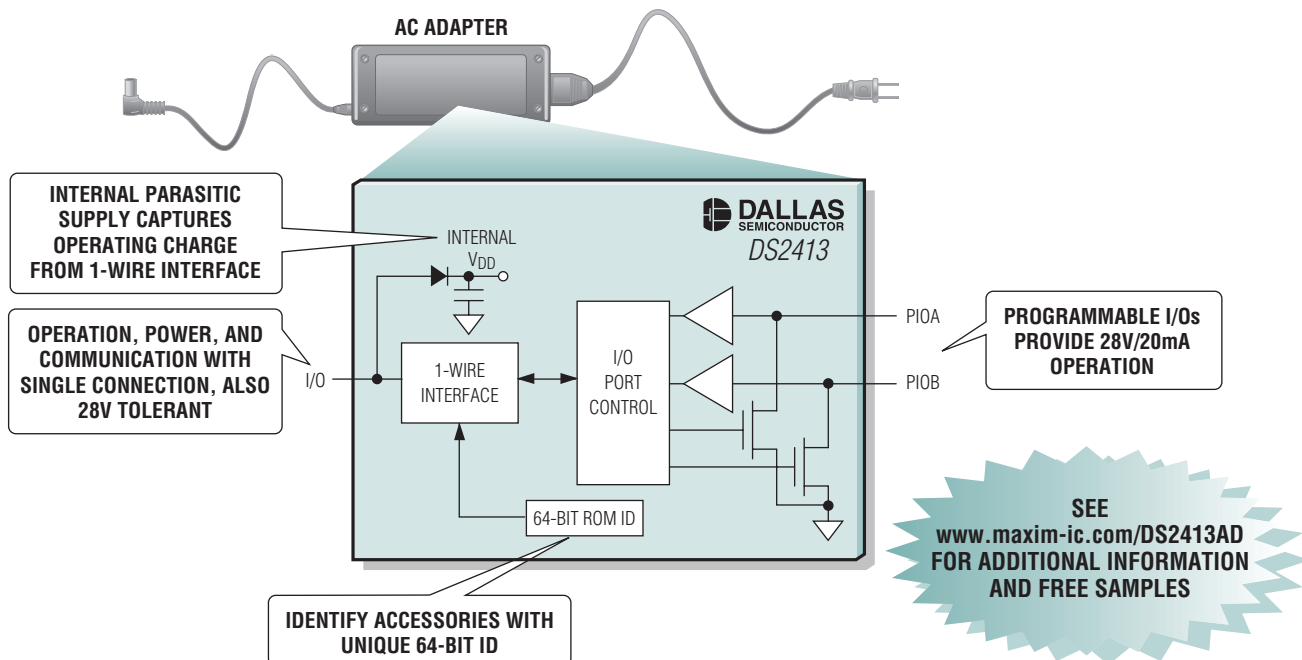


28V/20mA GPIO OUTPUTS ARE IDEAL FOR HV PERIPHERALS

Identify and Control Accessories and Peripherals over a Dedicated 1-Wire® Interface Contact

The DS2413 is ideal for applications where a cabled accessory or peripheral needs to be identified and controlled. The DS2413, for example, can identify the power capability of an AC-adaptor power supply and controlling adapter ON/OFF or LED functions. In addition to the GPIOs, a unique 64-bit ID number provides an ideal solution for peripheral identification and can be customized to encode model information. The 28V GPIO operating levels are also ideal for controlling high-voltage loads found in industrial controls or rack-based equipment like base stations. The two-contact 1-Wire® interface also enables multiple DS2413s or other 1-Wire devices to be multidropped on a common 1-Wire line with line lengths that can easily extend tens of meters.



- ◆ Software-Programmable I/O Ports
- ◆ All Pins Capable of 28VDC (Sustained)
- ◆ Current Sink 20mA with 20Ω (max) On-Resistance
- ◆ All Operation over the Two-Contact 1-Wire Bus
- ◆ High ESD Immunity of I/O: 8kV (typ) IEC 1000-4-2
- ◆ Designed for Hot/Live System Insertion
- ◆ Each Part Uniquely Identified with 64-Bit Device ID Number
- ◆ Small, 6-Pin TSOC Package

1-Wire is a registered trademark of Dallas Semiconductor Corp.



www.maxim-ic.com

FREE 1-Wire Products Design Guide—Sent Within 24 Hours!

CALL TOLL FREE 1-800-998-8800 (6:00 a.m.–6:00 p.m. PT)

For a Design Guide or Free Sample



Distributed by Maxim/Dallas Direct!, Arrow, Avnet Electronics Marketing, Digi-Key, and Newark.

The Maxim logo is a registered trademark of Maxim Integrated Products, Inc. The Dallas Semiconductor logo is a registered trademark of Dallas Semiconductor Corp.

© 2005 Maxim Integrated Products, Inc. All rights reserved.