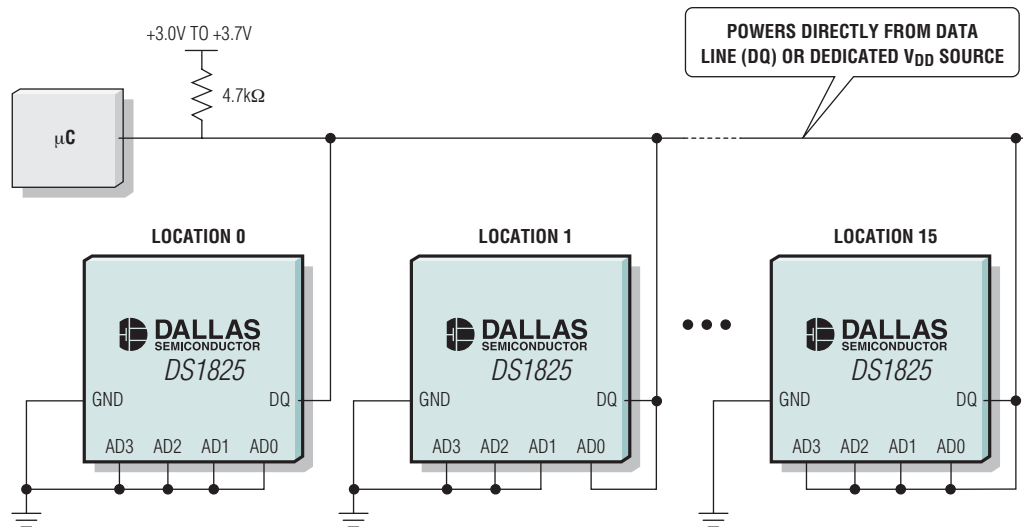


UNIQUE ADDRESSABLE 1-WIRE TEMP SENSOR SIMPLIFIES MULTISENSOR APPLICATIONS

The DS1825 is the first 1-Wire[®] temperature sensor with dedicated address pins capable of assigning physical location for up to 16 sensors. Each of four dedicated address pins can be set to GND or the data line (DQ) to determine the location of the temperature sensor. Just a simple read of the configuration register easily pinpoints the location of each device.



BEST IN THE INDUSTRY!

- ◆ **±0.5°C Accuracy over -10°C to +85°C Temperature Range**
- ◆ **Measures Temperature over -55°C to +125°C Range**
- ◆ **User-Selectable 9-Bit to 12-Bit Resolution**
- ◆ **Thermal Alarm Function with EEPROM, User-Programmable Trip Points**
- ◆ **1-Wire Serial Interface**
- ◆ **Tiny 8-Pin µSOP**
- ◆ **Priced at \$1.70[†]**

1-Wire is a registered trademark of Dallas Semiconductor Corp.

[†]1000-up recommended resale, FOB USA. Prices provided are for design guidance and are for the lowest grade, commercial temperature parts. International prices will differ due to local duties, taxes, and exchange rates. Prices are subject to change. Not all packages are offered in 1k increments, and some may require minimum order quantities.



www.maxim-ic.com

FREE Temperature Sensors Design Guide—Sent Within 24 Hours!

CALL TOLL FREE 1-800-998-8800 (6:00 a.m.–6:00 p.m. PT)

For a Design Guide or Free Sample



Distributed by Maxim/Dallas Direct!, Arrow, Avnet Electronics Marketing, Digi-Key, and Newark.

The Maxim logo is a registered trademark of Maxim Integrated Products, Inc. The Dallas Semiconductor logo is a registered trademark of Dallas Semiconductor Corp.

© 2005 Maxim Integrated Products, Inc. All rights reserved.