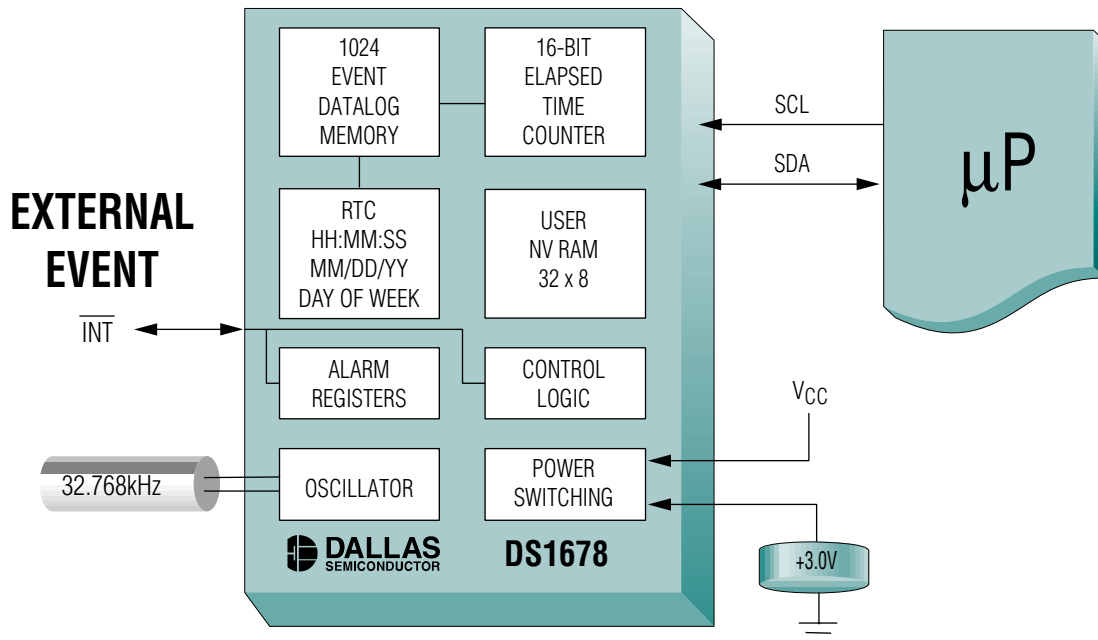


# WORLD'S SMALLEST REAL-TIME EVENT RECORDER

## Compatible with I<sup>2</sup>C; Will Log and Time 1025 Events

The DS1678 combines real-time clock/calendar, 1025 event recorder, 32 bytes of user SRAM, and power switching circuitry. It records the start time of the first event and the elapsed time between successive events. Event time resolution is programmable (seconds, minutes, or hours). The DS1678 will record when something is accessed or how long it is open/closed or on/off without the need for external processor intervention.



- ◆ Real-Time Clock/Calendar
- ◆ Logs up to 1025 Events in Read-Only Nonvolatile Memory
- ◆ Backup Power Supply Input
- ◆ Low Oscillator Current (500nA max)
- ◆ Automatic Power-Fail Detect and Switch Circuitry
- ◆ Programmable Time-of-Day Alarm
- ◆ -40°C to +85°C Temperature Range
- ◆ Low Cost

I<sup>2</sup>C is a trademark of Philips Corp.



**FREE Real-Time Clocks Design Guide—Sent Within 24 Hours!**  
Includes: Reply Cards for Free Samples and Data Sheets

FREE FULL-LINE DATA CATALOG  
ON CD-ROM

CALL TOLL-FREE 1-800-998-8800 for a Design Guide or Free Sample  
6:00 a.m. – 6:00 p.m. Pacific Time



[www.maxim-ic.com](http://www.maxim-ic.com)



**NEW!** Get Price, Delivery, and Place Orders  
Online at [www.maxim-ic.com](http://www.maxim-ic.com)

Dallas Semiconductor, 4401 South Beltwood Parkway, Dallas, Texas 75244-3292  
Phone: 972-371-4448 FAX: 972-371-4470

MAXIM is a registered trademark of Maxim Integrated Products, Inc. © 2001 Maxim Integrated Products.