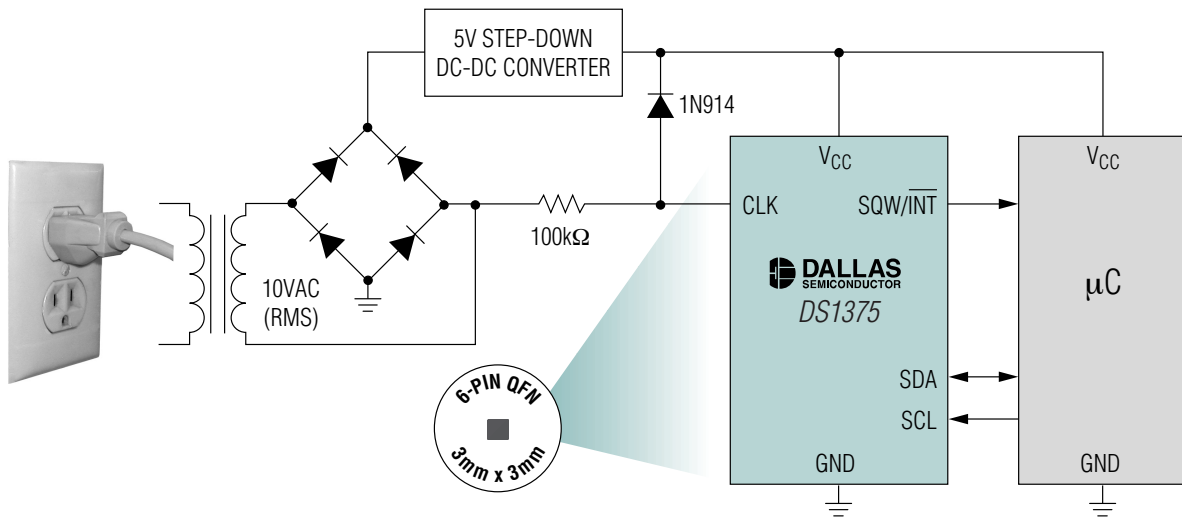


WORLD'S LOWEST COST RTC OPERATES FROM 50Hz/60Hz LINE FREQUENCY

The DS1375 digital real-time clock (RTC) is a low-power clock/calendar that does not require a crystal. The device operates from a digital-clock input pin at one of four frequencies: 32.768kHz, 8.192kHz, 60Hz, or 50Hz. The RTC maintains seconds, minutes, hours, day, date, month, and year information. Two programmable time-of-day alarms and a programmable square-wave output are provided. The 2-wire bus operates from 1.7V to 5.5V. The device comes in a 6-pin thin QFN package, and is well suited for appliances and consumer electronics.



- ◆ Priced at \$0.30[†] in 100k Quantities
- ◆ Real-Time Clock/Calendar
- ◆ Two Time-of-Day Alarms
- ◆ Supports 32.768kHz, 8.192kHz, 60Hz, or 50Hz Clock Frequencies

- ◆ Ideal for Appliances and Consumer Electronics
- ◆ Uses AC Line Frequency for Timekeeping
- ◆ Fast 400kHz 2-Wire Interface
- ◆ Oscillator Stop Flag
- ◆ Operates from 1.7V to 5.5V

[†]100,000-up recommended resale. Price provided is for design guidance and is FOB USA. International prices will differ due to local duties, taxes, and exchange rates.



www.maxim-ic.com

FREE Real-Time Clocks Design Guide—Sent Within 24 Hours!

CALL TOLL-FREE 1-800-998-8800 (6:00 a.m.—6:00 p.m. PT)

For a Design Guide or Free Sample



Distributed by Maxim/Dallas Direct!, Arrow, Avnet Electronics Marketing, Digi-Key, and Newark.
MAXIM is a registered trademark of Maxim Integrated Products, Inc. © 2003 Maxim Integrated Products.