

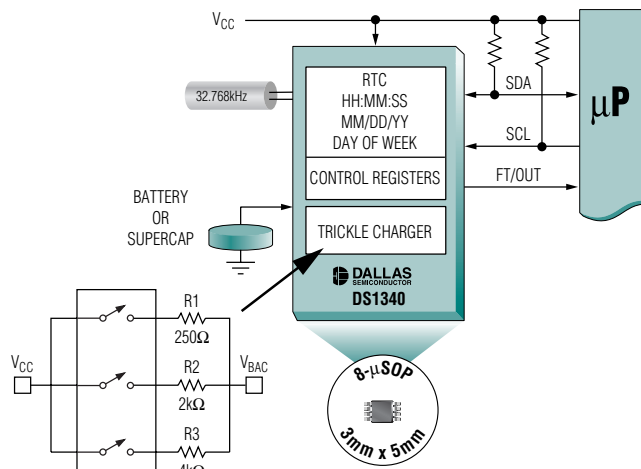
REAL-TIME CLOCK HAS MORE FEATURES AND LOWER COST THAN M41T00

Take Advantage of Our Programmable Trickle Charger, Lower Oscillator Voltage, and Smaller μ SOP Package

The DS1340 real-time clock/calendar provides more features and costs less than our pin-for-pin competition. The DS1340 is priced at \$1.12, costing 25% less than the M41T00. The DS1340 is also available in a space-saving, 8-pin μ SOP package.

DS1340/M41T00 Standard Features

- ◆ Real-Time Clock/Calendar
- ◆ Automatic Power-Fail Detect and Switch Circuitry
- ◆ Backup Power-Supply Input
- ◆ Software Clock Calibration
- ◆ Low Oscillator Current



DS1340 Additional Features

Feature	DS1340	M41T00
Programmable Trickle Charger	Yes	No
Package	μ SOP or SOIC	SOIC
Max I ² C™ Interface Speed (kHz)	400	100
Oscillator Stop Flag	Yes	No
Min Oscillator Voltage (V)	1.3	2.0
Price (\$)†*	1.12	1.53*

I²C is a trademark of Philips Corp. Purchase of I²C components of Maxim Integrated Products, Inc., or one of its sublicensed Associated Companies, conveys a license under the Philips I²C Patent Rights to use these components in an I²C system, provided that the system conforms to the I²C Standard Specification as defined by Philips.

†1000-up recommended resale. Prices provided are for design guidance and are FOB USA. International prices will differ due to local duties, taxes, and exchange rates. Not all packages are offered in 1k increments, and some may require minimum order quantities.

*500-1499 unit pricing as published on Avnet Electronic's website.



www.maxim-ic.com

FREE Real-Time Clocks Design Guide—Sent Within 24 Hours!

CALL TOLL-FREE 1-800-998-8800 (6:00 a.m.—6:00 p.m. PT)

For a Design Guide or Free Sample



Distributed by Maxim/Dallas Direct!, Arrow, Avnet Electronics Marketing, Digi-Key, and Newark.

MAXIM is a registered trademark of Maxim Integrated Products, Inc. © 2003 Maxim Integrated Products.