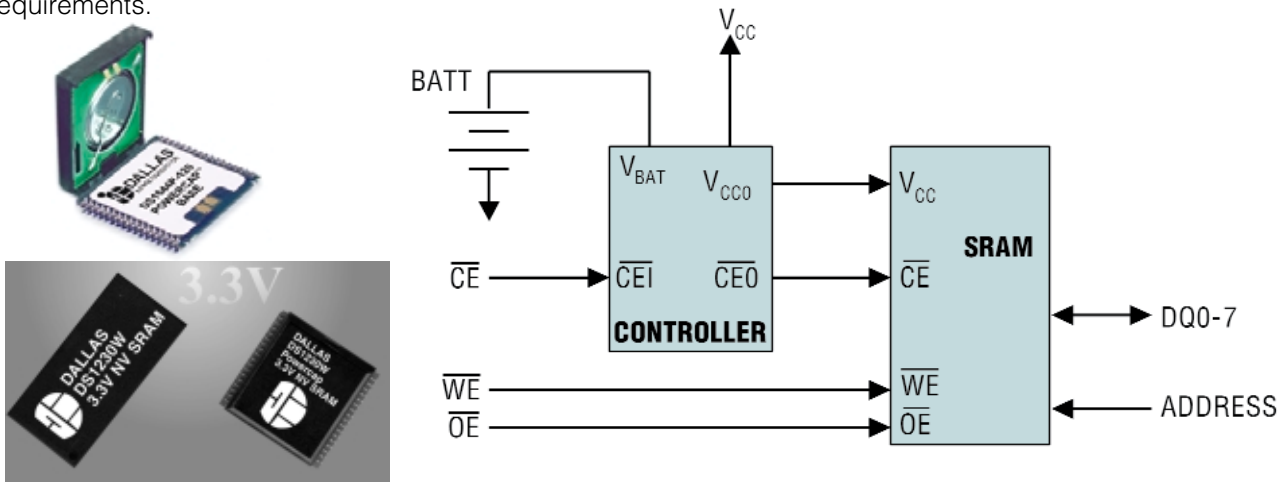


# WORLD'S DENSEST NV SRAMS IN SURFACE MOUNT

## 10 Years of Data Retention for 3V or 5V Systems

The DS1250P nonvolatile SRAM gives you a convenient and cost-effective means of protecting critical data during an unexpected power loss. The lithium battery-backed NV SRAM uses fast cycles times, with no limit on the number of write cycles. It is the preferred solution over EEPROM or flash memory in applications where system data must be preserved in the absence of power.

From industrial controls and instrumentation to consumer applications, Dallas Semiconductor's broad line of NV SRAMs is easy to interface to your system. Many configurations are available to meet your design and reliability requirements.



### SELECT FROM THE BROADEST LINE OF NV SRAMS

- ◆ Memory Densities from 16k to 16M
- ◆ 3V or 5V Operating Voltages
- ◆ Byte-Wide or Word-Wide Data Width
- ◆ Data Retention in the Absence of V<sub>CC</sub> for Up to 10 years
- ◆ Commercial or Industrial Temperature Range
- ◆ Through-Hole or Surface-Mount Packages

| MEMORY DENSITY | PART NUMBER | POWER |    | DATA |     | SURFACE MOUNT |
|----------------|-------------|-------|----|------|-----|---------------|
|                |             | 3V    | 5V | X8   | X16 |               |
| 16K            | DS1220      |       | ✓  | ✓    |     |               |
| 64K            | DS1225      | ✓     | ✓  | ✓    |     |               |
| 256K           | DS1230      | ✓     | ✓  | ✓    |     | ✓             |
| 1M             | DS1245      | ✓     | ✓  | ✓    |     | ✓             |
| 2M             | DS1249      | ✓     | ✓  | ✓    |     |               |
| 2M             | DS1258      | ✓     | ✓  |      | ✓   |               |
| 4M             | DS1250      | ✓     | ✓  | ✓    |     | ✓             |
| 8M             | DS1265      | ✓     | ✓  | ✓    |     |               |
| 16M            | DS1270      | ✓     | ✓  | ✓    |     |               |

CALL TOLL-FREE 1-800-998-8800 for a Brochure or Free Sample  
6:00 a.m.–6:00 p.m. Pacific Time



[www.maxim-ic.com](http://www.maxim-ic.com)

FREE FULL-LINE DATA CATALOG  
ON CD-ROM



**NEW!** Get Price, Delivery, and Place Orders  
Online at [www.maxim-ic.com](http://www.maxim-ic.com)

Dallas Semiconductor, 4401 South Beltwood Parkway, Dallas, Texas 75244-3292 Phone: 972-371-4448 Fax: 972-371-4470

MAXIM is a registered trademark of Maxim Integrated Products, Inc. (C) 2001 Maxim Integrated Products.