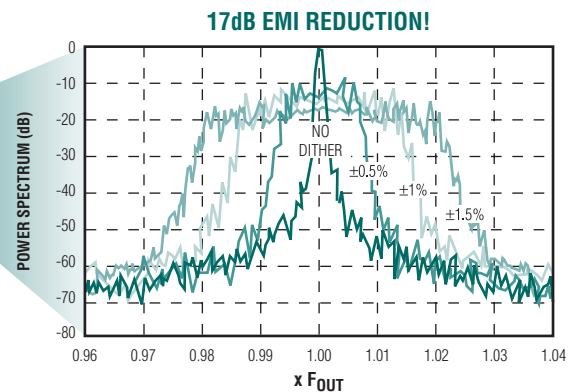
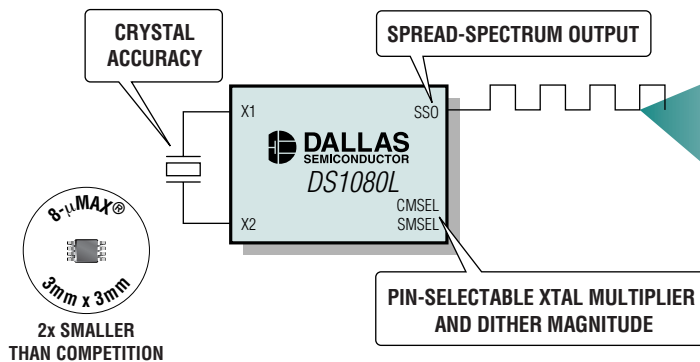


WORLD'S SMALLEST SPREAD-SPECTRUM CRYSTAL MULTIPLIER REDUCES EMI

Pin-Selectable Dither Magnitude and XTAL Multiplier

The DS1080L is a crystal-based clock generator with an integrated phase-locked loop (PLL) for spread-spectrum clock output generation. Used with a low-cost 16MHz to 33.4MHz crystal, the DS1080L generates 16MHz to 133MHz output frequencies with pin-selectable integer multipliers of 1, 2, and 4. To reduce EMI, choose a pin-selectable, center-spread dither magnitude of 0% (disabled), $\pm 0.5\%$, $\pm 1.0\%$, and $\pm 1.5\%$.



FEATURES

- ◆ 16MHz to 134MHz Frequency Output Range
- ◆ XTAL Accuracy
- ◆ $\pm 0.5\%$ to $\pm 1.5\%$ Pin-Selectable Dither Magnitude
- ◆ 75ps Cycle-to-Cycle Jitter
- ◆ 3.0V to 3.6V, -40°C to $+125^{\circ}\text{C}$ Operating Ranges

APPLICATIONS

- ◆ Automotive Infotainment
- ◆ USB Peripherals
- ◆ Telecom/Datacom Equipment
- ◆ LCD/Plasma Displays
- ◆ POS Terminals

μMAX is a registered trademark of Maxim Integrated Products, Inc.



www.maxim-ic.com

FREE Automotive Design Guide—Sent Within 24 Hours!

CALL TOLL FREE 1-800-998-8800 (7:00 a.m.–5:00 p.m. PT)

For a Design Guide or Free Sample



Distributed by Maxim/Dallas Direct!, Arrow, Avnet Electronics Marketing, Digi-Key, and Newark.

The Maxim logo is a registered trademark of Maxim Integrated Products, Inc. The Dallas Semiconductor logo is a registered trademark of Dallas Semiconductor Corp.
© 2006 Maxim Integrated Products, Inc. All rights reserved.