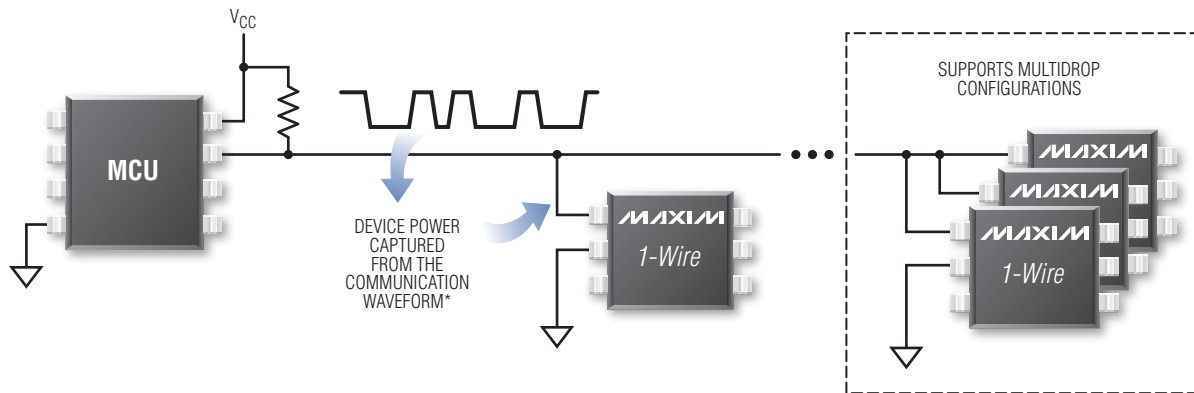




# 1-Wire<sup>®</sup> products: one pin, thousands of innovative solutions

**NV-memory, security, and mixed-signal ICs that operate completely from one dedicated pin (power and data share one pin)!**



## Optimized for applications that demand

- Unique, factory-programmed, electronic serial numbers for tracking or security requirements
- Operation over a pin-limited connector
- Electronic authentication and strong ESD protection for peripherals, accessories, or sensors
- Conservation of MCU I/O
- Minimized cabling complexity and costs

## A sampling of innovative 1-Wire solutions

1-Wire Product Family Functions	Customer-Favorite Maxim Device
EEPROM	<b>DS2431:</b> 1kb EEPROM
Crypto-secure authentication	<b>DS28E01-100:</b> SHA-1 authenticated EEPROM
Temperature measurement	<b>DS28EA00:</b> ±0.5°C accurate digital temp sensor
OTP EPROM	<b>DS2502:</b> 1kb EPROM
General-purpose I/O	<b>DS2413:</b> 2-channel switch with 28V/20mA GPIO
Unique 64-bit serial number	<b>DS2401:</b> 64-bit ROM serial number
Real-time clock	<b>DS2417:</b> 32-bit RTC counter

What is 1-Wire?  
Visit [www.maxim-ic.com/1-pin](http://www.maxim-ic.com/1-pin)  
for a Flash overview and  
more product info.

1-Wire is a registered trademark of Maxim Integrated Products, Inc.  
\*1-Wire devices with special features may require an additional power source.



[www.maxim-ic.com/shop](http://www.maxim-ic.com/shop)



[www.avnet.com](http://www.avnet.com)



[www.maxim-ic.com/1-pin](http://www.maxim-ic.com/1-pin)

For free samples or technical support, visit our website or call 1-800-998-8800.

The Maxim logo is a registered trademark of Maxim Integrated Products, Inc. © 2008 Maxim Integrated Products, Inc. All rights reserved.